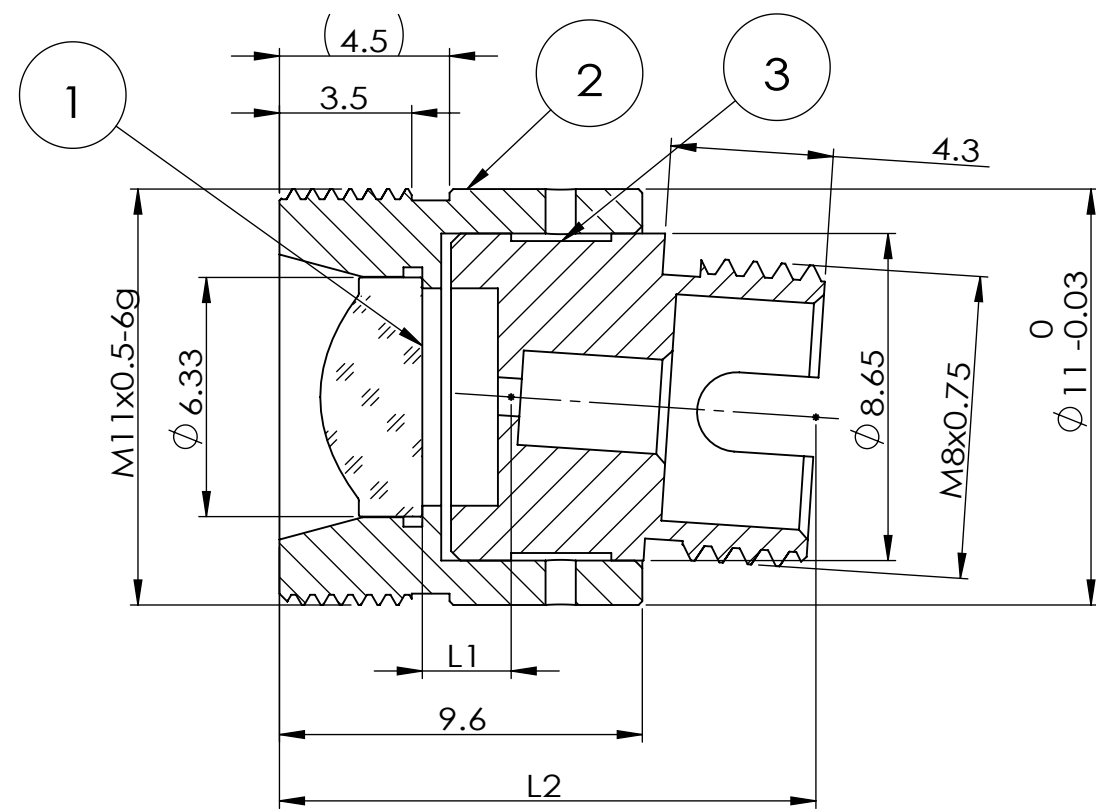
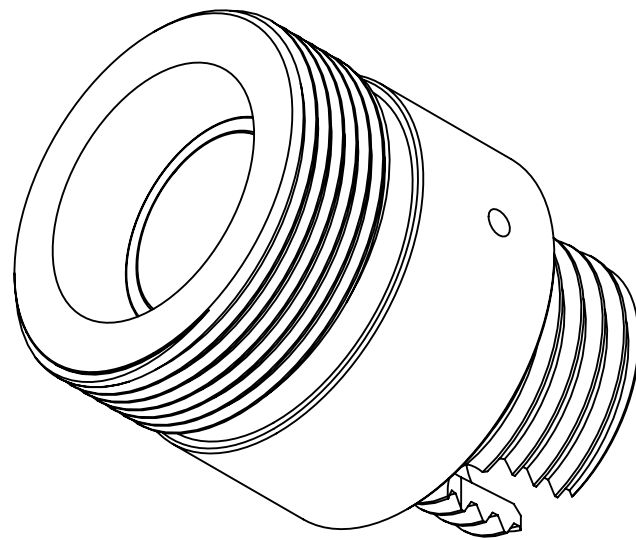


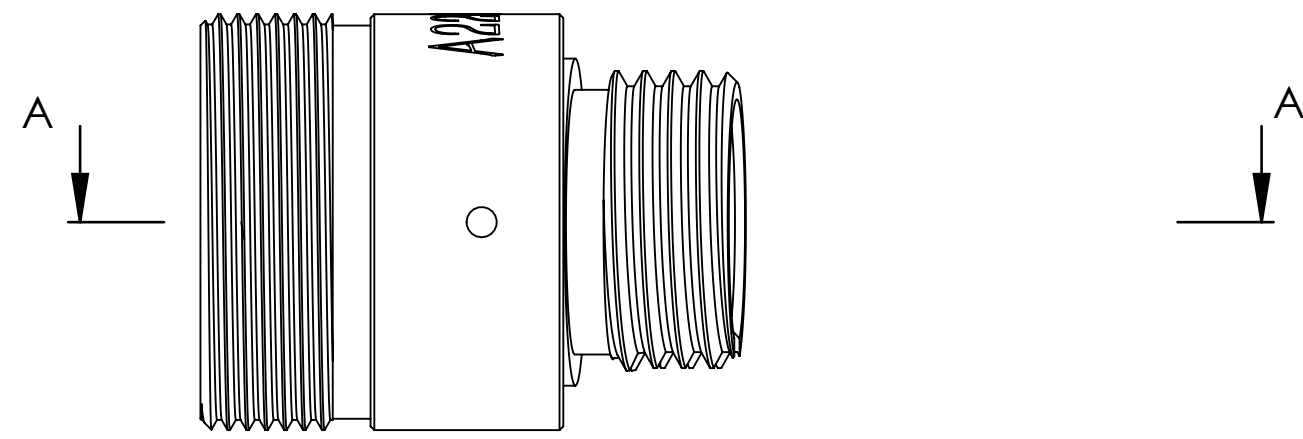
Distributor

 info@amstechnologies.com
 www.amstechnologies-webshop.com
Contact us

ITEM	Material	DESCRIPTION
1	LE4560	D-ZLAF52LAM MOLDED ASPHERE
2	3420012	SUS 304L HOUSING
3	3420001	SUS 304L FC/APC CONNECTORS

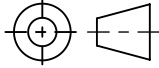



SECTION A-A



PART NUMBER	λ	ALIGNMENT FIBER	L1 (mm)	L2 ± 0.25 (mm)
FDA52010405	405nm	C405	2.78	15.23
FDA52010532	532nm	460HP	2.91	15.36
FDA52010633	633nm	SM600	2.96	15.41
FDA52010780	780nm	780HP	3.00	15.45
FDA52011064	1064nm	HI-1060	3.04	15.49
FDA52011310	1310nm	SMF-28e	3.07	15.51
FDA52011550	1550nm	SMF-28e	3.09	15.53

DO NOT SCALE DRAWING.

DRAWING PROJECTION. 

 **GH Optics (Jiangsu) Co., Ltd.**
www.ghoptics.cn

TITLE: Connectorized Collimators with FC/APC

DWG NO. FE456011064

NAME	DATE
DRAWN	
CHK'D	
APPV'D	

UNIT: mm SIZE: A3 SHEET 1 OF 1 REV. A