

# FC PC and APC Connector Kit Crimp Type



## T E C H N I C A L   S P E C I F I C A T I O N



## G E N E R A L

This specification covers the FC PC and APC Connector Kit Crimp Type for singlemode and multimode applications according to IEC 61754-13 and TIA 604-4-A.

## M O D E L S   A V A I L A B L E

The FC Connector Crimp Type is available with the following crimps, boot sizes and colours:

Cable Diameter	900 µm	1.6 mm	2.0 mm	2.5 mm	3.0 mm
<b>Boot: Standard Type</b>	Black, Green	2mm Boot	Black and Green	3mm Boot	Black
<b>Crimp</b>	---	Available	Available	Available	Available

### Special Boots

Cable Diameter	900 µm	1.6 mm	2.0 mm	2.5 mm	3.0 mm
<b>90° Boot</b>	---	3mm Boot	3mm Boot	3mm Boot	Black

Optoplast FC connectors are supplied as standard in the following configurations:

	Boots for FC Connectors
<b>Multimode</b>	Black
<b>Singlemode PC</b>	Black
<b>Singlemode APC</b>	Green for 2 mm cables only

All the above connectors are available either as multi-piece or pre-assembled 1-piece.

Availability of Dust Cap with Latch.

Other boot colours are available on request.

Available ferrules: refer to Spec. N° FR-2.5-01-001

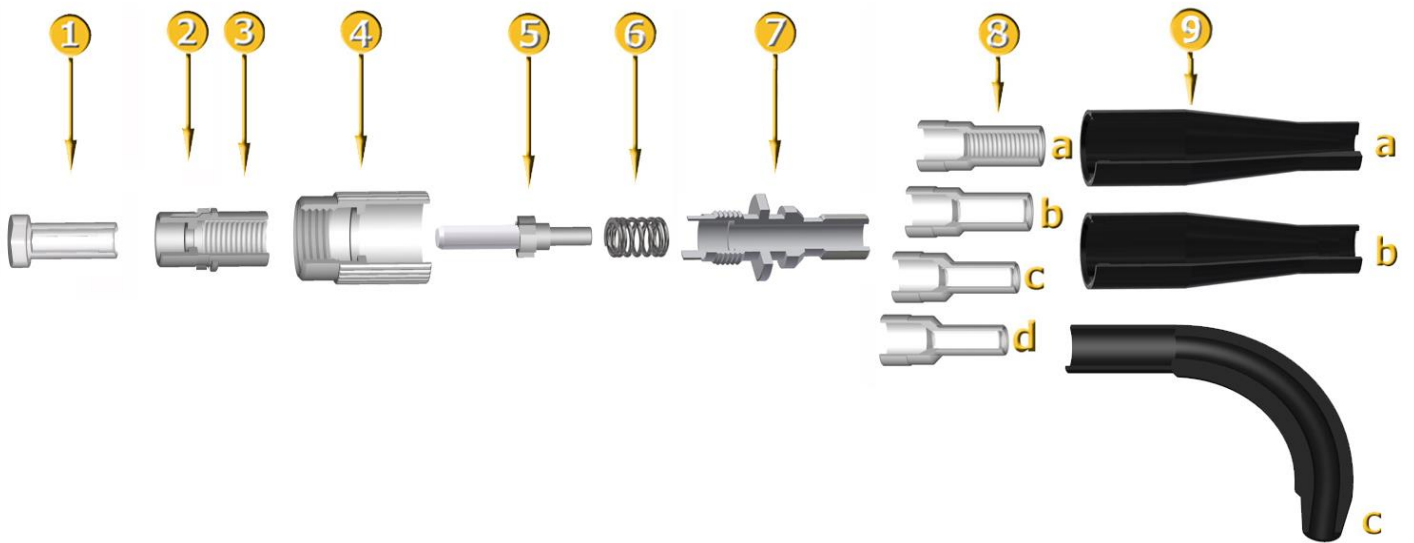
## M E C H A N I C A L C H A R A C T E R I S T I C S

Mating Durability	>500 connections	IEC61300-2-2
Cable Retention	100 N, 120s	IEC61300-2-4
900 µm Buffer Retention	5 N, 60s	IEC61300-2-4
Vibration	10 – 55 Hz , 1 octave / min. 3 axis of 15 cycles , 0.5h/axis amplitude 0.75mm	IEC61300-2-1
Repeated Bending Cable	100 cycles -90°/0°/+90°/0° Load = 5N	IEC61300-2-44
Repeated Bending 900 µm Buffer	100 cycles -90°/0°/+90°/0° Load = 0.2N	IEC61300-2-44
Cable Torsion	1.5kg -2.5kg for 2mm-3mm cable diameter	IEC60794-2-5
Drop	1.5m , 5 times	IEC61300-2-12
Static Side Load	1N , 1h	IEC61300-2-42
Static Side Load 900 µm Buffer	0.2N , 5min	IEC61300-2-42
Cold	-25°C , 96h	IEC61300-2-17
Dry Heat	+70°C , 96h	IEC61300-2-18
Change of temperature	-25°C to +70°C , 12 cycles	IEC61300-2-22

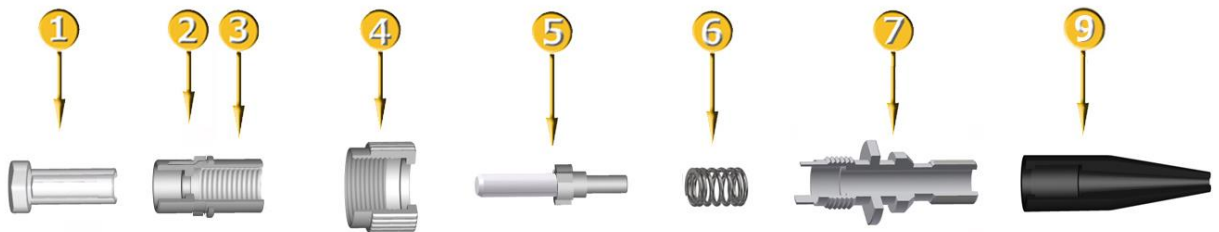
## P A C K A G I N G

Each separate component of the FC crimp type connector is packed as standard in transparent plastic bags of 500 pieces. There is no logo nor any company marking on the bags. The ferrules are packed in blisters of 100 pieces each. Customized packaging and labelling solutions are available on request.

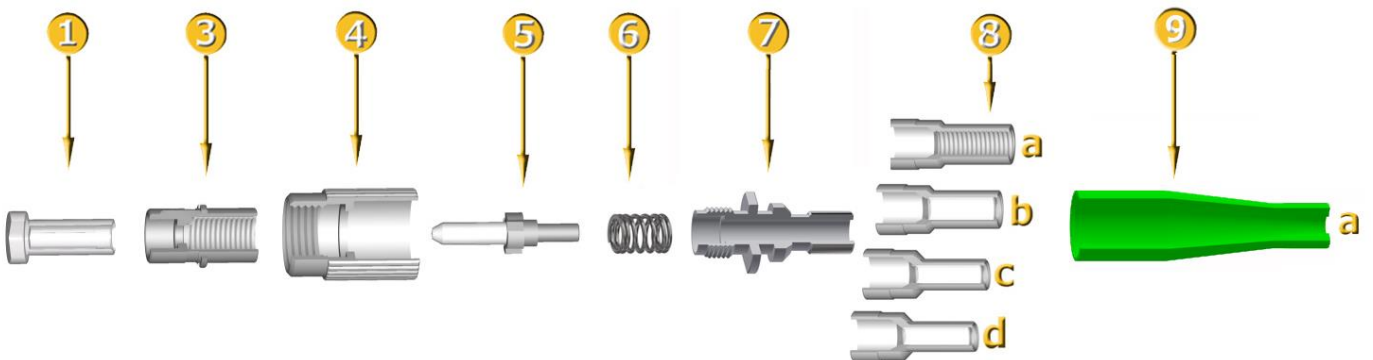
**FC PC Crimp Type Connector Multipiece for  $\varnothing$  1,6 - 2 - 2,5 - 3 mm cables**



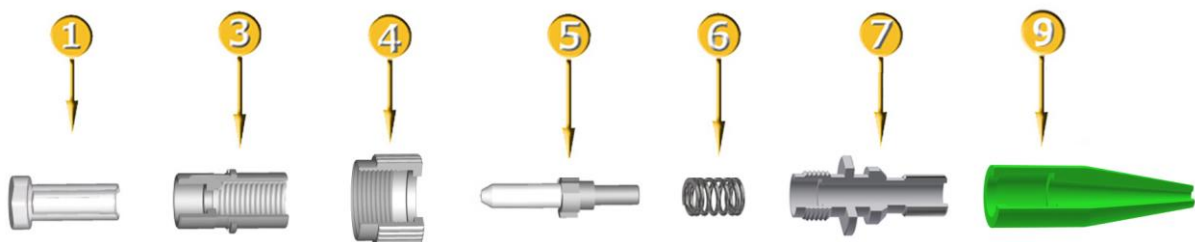
**FC PC Connector Multipiece for  $\varnothing$  900  $\mu$ m buffer**



**FC APC Crimp Type Connector Multipiece for  $\varnothing$  1,6 - 2 mm cables**



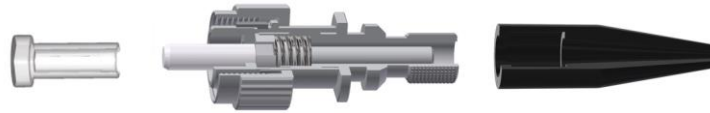
**FC APC Connector Multipiece for  $\varnothing$  900  $\mu$ m buffer**



**FC PC Crimp Type Connector 1-piece for Ø 1.6 - 2 - 2.5 - 3 mm cables**



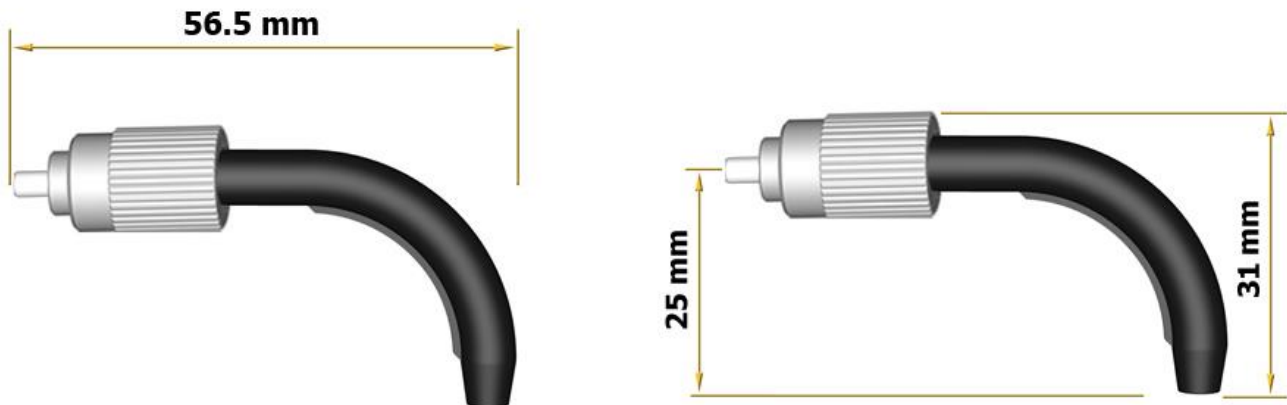
**FC PC Connector 1-piece for Ø 900 µm buffer**



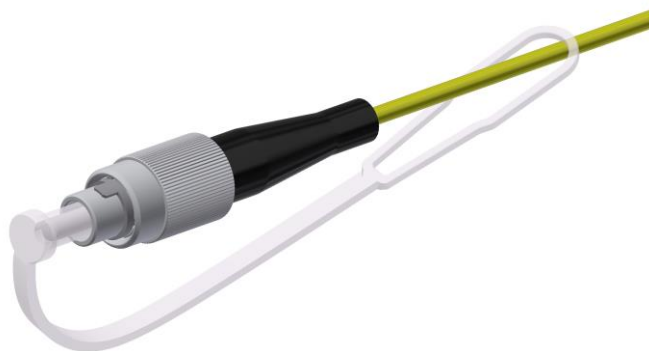
**FC Crimp Type Connector Overall Dimensions**



**Ø up to 3 mm cable 90° boot**



**FC PC Connector Dust Cap with Latch**



# C O M P O N E N T S   A N D   M A T E R I A L S

N°	Component	Material	N°	Component	Material
1	Ferrule Cap	PE LD	8.a	Crimp Tube for Cable Ø 3 mm	Aluminium
2	Key Ring <sup>1</sup>	Nickel Plated Brass	8.b	Crimp Tube for Cable Ø 2.5 mm	Nickel Plated Zinc Alloy
3	Front Body	Nickel Plated Zinc Alloy	8.c	Crimp Tube for Cable Ø 2 mm	Nickel Plated Zinc Alloy
4	Nut	Nickel Plated Zinc Alloy	8.d	Crimp Tube for Cable Ø 1.6 mm	Nickel Plated Zinc Alloy
5	Ferrule with flange	Ceramic + Steel	9.a	Boot for Cable Ø 1.6 - 2.0 mm	Polymer
6	Spring	Stainless Steel	9.b	Boot for Cable Ø 2.5 - 3.0 mm	Polymer
7	Rear Body	Nickel Plated Brass	9.c	90° Boot for Cable Ø up to 3 mm	Polymer
			9	Boot for Buffer Ø 900 µm	Polymer

<sup>1</sup> PC: Key ring is pre-assembled onto front body

APC: Key is built-in with front body.

### Key width:

FC PC Connector Key Ring Type R - Width min 1.97 mm ÷ max 2.02 mm.

Available on request Key type N width 2.09 ÷ 2,14 mm (front body with built-in key).

FC APC Connector Key Type R - Width min 1.97 mm - max 2.02 mm.

All components of the connector are RoHS and REACH compliant.

# E N D   O F   S P E C I F I C A T I O N