

- 1.MATERIAL: D-ZK3M
 2.ASSUME 1.20 BK7 WINDOW FOR LASER DIODE
 3.NOMINAL PARAMETERS:
 WAVELENGTH:685 nm
 NUMERICAL APERTURE:0.64
 EFFECTIVE FOCAL LENGTH: 4.0mm
 WORKING DISTANCE: 2.68mm

Notes :

1. Evenasphere Formula are defined by :

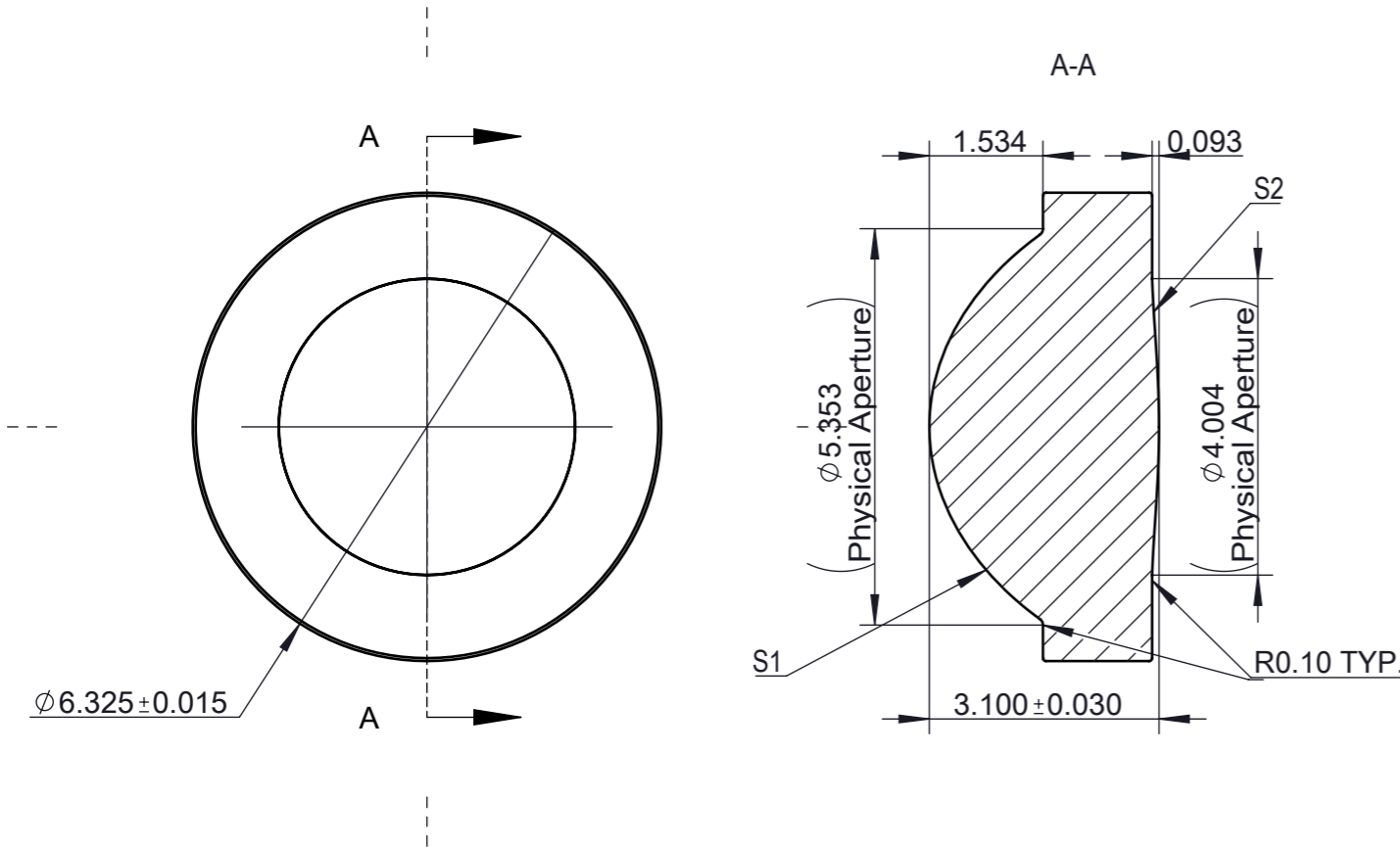
$$Z(r) = \frac{r^2 / R_c}{1 + \sqrt{1 - (1 + K) (r / R_c)^2}} + \sum_i A_{2i} r^{2i}$$

2. The coefficients are as below :

| | S1 | S2 |
|-----|---------------|---------------|
| Rc | 2.619750 | -12.675200 |
| K | -0.444952 | -1.000000 |
| A2 | 0.000000E+00 | 0.000000E+00 |
| A4 | -5.097290E-04 | 4.524480E-03 |
| A6 | -4.870110E-05 | -9.003100E-05 |
| A8 | -2.005670E-06 | -1.601860E-06 |
| A10 | -1.371250E-08 | 0.000000E+00 |
| A12 | 1.842040E-08 | 0.000000E+00 |
| A14 | 0.000000E+00 | 0.000000E+00 |
| A16 | 0.000000E+00 | 0.000000E+00 |

3.REQUIREMENT

| | S1 | S2 |
|-----------------|---|--------|
| Surface quality | S/D 40/20 | |
| Clear Aperture | 5.10mm | 3.80mm |
| WFE | RMS<0.110λ@633nm, PV<0.270λ@633nm,50% Aperture | |
| Roughness | Ra<5nm | |



Distributor

 where technologies meet solutions
 info@amstechnologies.com
 www.amstechnologies-webshop.com
 Contact us

| | | | | |
|-----|----|-------------------|------|-----------|
| A | 01 | Initial | Clay | 2021/7/6 |
| B | 10 | Change asph.coff. | Clay | 2021/11/8 |
| | | | | |
| | | | | |
| | | | | |
| | | | | |
| | | | | |
| | | | | |
| Rev | | Notes | Sign | Date |

MATERIAL
D-ZK3M

UNLESS OTHERWISE SPECIFIED

Unit is MM.

DEFAULT TOLERANCE:

.X ±0.25

.XX ±0.10

.XXX ±0.025

Angles: ±0.5°



光皓光学 (江苏) 有限公司
 GH Optics(Jiangsu) Co.,Ltd.

图幅 单位 第一视角

A4 公制

LD4060UC-10

REV B

第 1 张 共 1 张