

- 1.MATERIAL: D-ZK3M
 2.ASSUME NO BK7 WINDOW FOR LASER DIODE
 3.NOMINAL PARAMETERS:
 WAVELENGTH:1550 nm
 NUMERICAL APERTURE:0.21
 EFFECTIVE FOCAL LENGTH: 6.0mm
 WORKING DISTANCE: 4.90mm

Notes :

1. Evenasphere Formula are defined by :

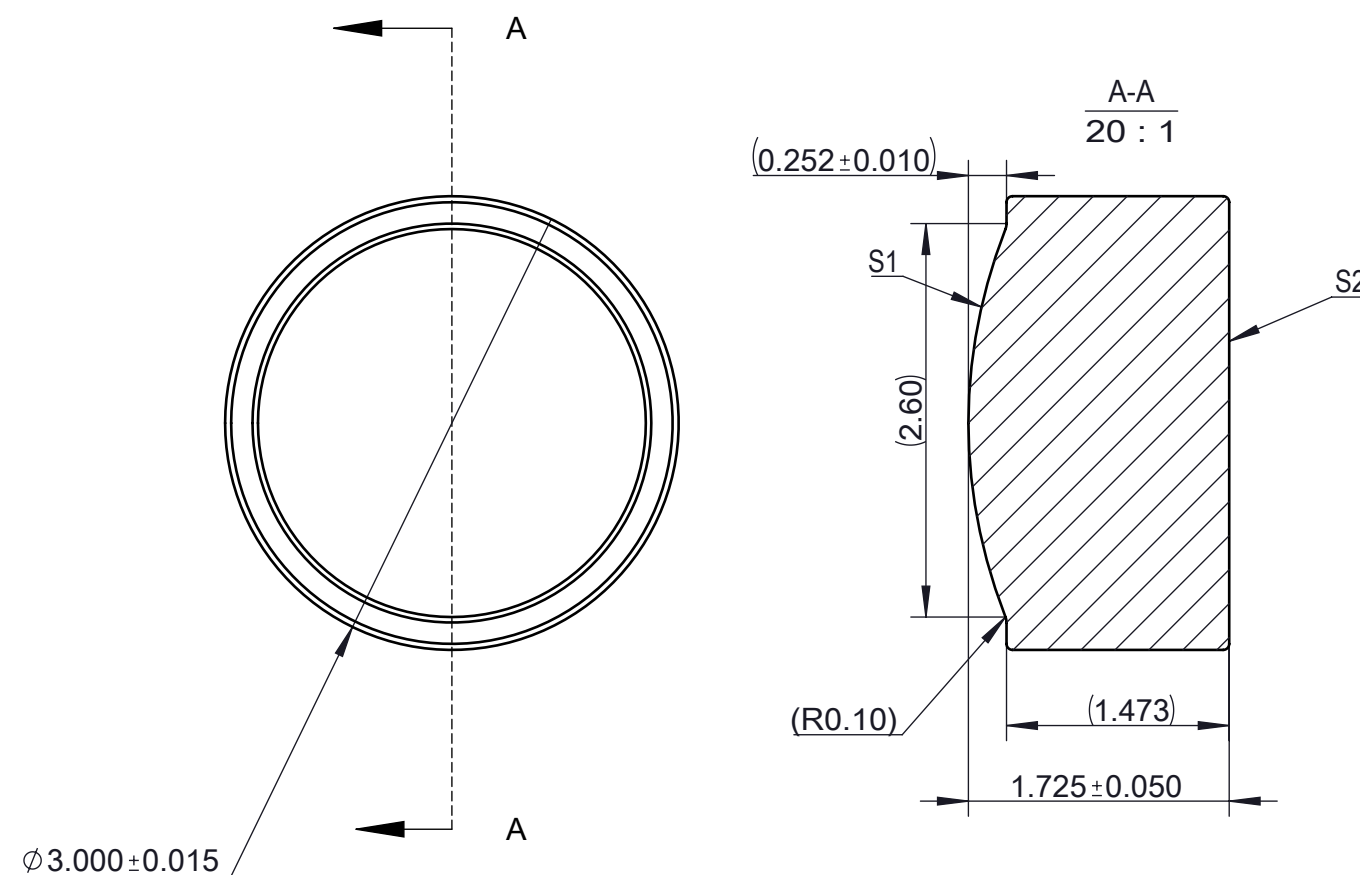
$$Z(r) = \frac{r^2 / R_c}{1 + \sqrt{1 - (1 + K) (r / R_c)^2}} + \sum_i A_{2i} r^{2i}$$

2. The coefficients are as below :

	S1	S2
Rc	3.406300	0.000000E+00
K	-1.000000	0.000000E+00
A2	0.000000E+00	0.000000E+00
A4	1.383020E-03	0.000000E+00
A6	1.675332E-05	0.000000E+00
A8	3.421948E-07	0.000000E+00
A10	0.000000E+00	0.000000E+00
A12	0.000000E+00	0.000000E+00
A14	0.000000E+00	0.000000E+00
A16	0.000000E+00	0.000000E+00

3.REQUIREMENT

	S1	S2
Surface quality	S/D 40/20	
Clear Aperture	2.50mm	2.10mm
WFE	RMS<0.100λ@633nm (NO window)	
Roughness	Ra<5nm	



Distributor

 where technologies meet solutions
 info@amstechnologies.com
 www.amstechnologies-webshop.com
Contact us

A	05	Initial	Clay	2021/9/23
Rev	ECO	Notes	Sign	Date

MATERIAL
D-ZK3M

UNLESS OTHERWISE SPECIFIED
 Unit is MM.
 DEFAULT TOLERANCE:
 .X ±0.25
 .XX ±0.10
 .XXX ±0.025
 Angles: ±0.5°



光皓光学 (江苏) 有限公司
 GH Optics(Jiangsu) Co.,Ltd.

图幅 单位 第一视角
 A4 公制

LD6020UC-10

A

第 1 张 共 1 张