

# Technical Specification

Model No. BG-FT-ASE-C+L

Product Name C+L ASE Flat Source

Technical File BG.01.0017-000\_SPEC

Version V1.0

Distributor



**amsTECHNOLOGIES**  
where technologies meet solutions

info@amstechnologies.com  
www.amstechnologies-webshop.com

**Contact us** 

---

## Table of Contents

1 Specifications.....	- 3 -
1.1 Optical Specifications.....	- 3 -
1.2 Working Environment.....	- 3 -
1.3 Electrical Specifications.....	- 3 -
1.3.1 Power Specifications.....	- 3 -
1.3.2 Connector Type.....	- 3 -
1.3.3 PIN Assignment.....	- 4 -
2 Mechanical Structure and Pigtail.....	- 5 -
2.1 Mechanical Structure.....	- 5 -
2.2 Pigtail.....	- 5 -
3 Software Protocol Definition.....	- 5 -
3.1 Parameter Setting and Default Value.....	- 5 -
4 Labeling.....	- 5 -
4.1 Interface Label.....	- 5 -
4.2 Warning Label.....	- 6 -
4.3 Product Info Label.....	- 6 -
5 Parts and Accessories.....	- 6 -

## 1 Specifications

### 1.1 Optical Specifications

Parameter	Min.	Typ.	Max.	Unit
Wavelength Range	1525	-	1605	nm
Output Optical Power	0	17	17	dBm
Output Isolation	45	-	-	dB
Spectrum Flatness	-	-	2.5	dB
Operating Mode	-	APC	-	-

### 1.2 Working Environment

Parameter	Min.	Typ.	Max.	Unit	Remarks
Working Temperature Range	-10	-	60	°C	
Storage Temperature Range	-40	-	85	°C	
Relative Humidity	0	-	90	%	
Pigtail Bending Radius	30	-	-	mm	

### 1.3 Electrical Specifications

#### 1.3.1 Power Specifications

Parameter	Min.	Typ.	Max.	Unit
Power Supply	+4.75	+5	+5.25	V
Power Consumption	-	-	10	W

#### 1.3.2 Connector Type

Communication connector type:

DSUB25 male, RS232 interface, power supply through serial port.

**1.3.3 PIN Assignment**

PIN	Symbol	Definition	Level	Description
1	VCC_5V	P		5V power supply
2	VCC_5V	P		5V power supply
3	VCC_5V	P		5V power supply
4	VCC_5V	P		5V power supply
5	NC	F		Not connected
6	NC	F		Not connected
7	ModuleTemp_Alarm	O	LVTTL	Module temperature alarm
8	Output_Alarm	O	LVTTL	Output power alarm
9	PumpTem_Alarm	O	LVTTL	Pump temperature alarm
10	Pump_CurrentAlarm	O	LVTTL	Pump current alarm
11	NC	F		Not connected
12	VCC_5V	P		5V power supply
13	GND	P		Power ground
14	GND	P		Power ground
15	GND	P		Power ground
16	GND	P		Power ground
17	GND	P		Power ground
18	TXD	O	RS232	Serial data output
19	Input_Alarm	O	LVTTL	Input power alarm
20	NC	F		Not connected
21	NC	F		Not connected
22	RXD	I	RS232	Serial data input
23	NC	F		Not connected
24	VCC_5V	P		5V power supply
25	NC	F		Not connected

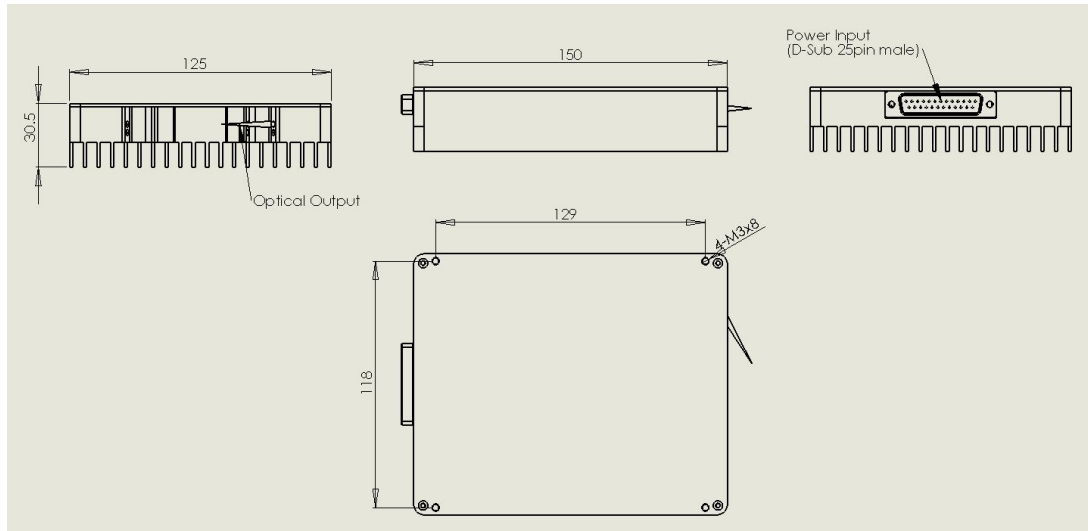
Notes:

1. P: power; I: input; O: output; F: float.
2. Module alarm when the alarm output is low level.

## 2 Mechanical Structure and Pigtail

### 2.1 Mechanical Structure

Dimensions in mm: 150x125x30.5mm



### 2.2 Pigtail

Item	Specifications
Fiber Type	SMF-28e 900 $\mu$ m
Pigtail Length	1000 $\pm$ 10mm
Fiber Connector	FC/APC

## 3 Software Protocol Definition

### 3.1 Parameter Setting and Default Value


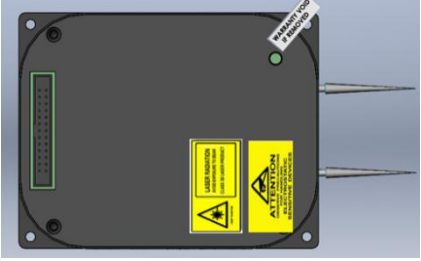

Parameter	Min.	Default	Max.	Unit
Output Power Alarm Threshold	-0.5	17.5	17.5	dBm
Output Power	0	17	17	dBm
Module Temperature Alarm Threshold	50	70	70	$^{\circ}$ C
Operating Mode	NC	APC	NC	-

## 4 Label



### 4.1 Interface Label

Fiber Interface	Labeling	Label Type
Signal Output	Output	Paper label

**4.2 Warning Label**

Warning Label	Labeling	Label Type and Location
Laser Safety Warning Label		
Anti-Static Warning Label		

**4.3 Product Info Label**

Label Type	Label Content	Label Type and Location
S/N Label	SN/PN Label 	

**5 Parts and Accessories**

Item	Quantity
ASE Flat Source Module	1 PC
User Manual	1 PC
Test Report	1 PC
Serial Interface Cable	1 PC
Control Software CD	1 PC



**amstechnologies**  
where technologies meet solutions

Distributor

info@amstechnologies.com  
www.amstechnologies-webshop.com

