

SSH66XE Series

Switch for 3/4"NPT External Fitting



SSH66XE are externally mounted horizontal float switches with 3/4"NPT thread.. The float is of 316L Stainless Steel and the stem is of 304 Stainless Steel.

These devices are easily mounted, using 3/4"NPT, without needing internal access to the tank/vessel into which they are being fitted.

These are available with either 1 metre flying leads or with a DIN43650 connector.

The switch action may be reversed by mounting the device with the float able to move upwards away from the body, instead of the more normal downwards direction.

- **External Mount (3/4"NPT)**
- **Operating Temperature to 120°C**
- **Stainless Steel 316L Float**
- **Connection with DIN 43650 Plug or 100cm wires**
- **N/O or N/C switch action**

Technical Specification

Mounting style	External	Cable length - standard	100cm/Plug
Mounting thread	3/4"NPT	Cable size	17/0.10 - AWG22
Float & Stem material	316/304grade SS	Cable conductor material	Tinned copper
Maximum Temperature	120°C	Cable sheath material	XLPE
Maximum pressure	10 bar	Cable temperature rating	125°C
Float SG	0.7	Sealing gasket	Not supplied
Minimum fluid SG	0.75	Tightening torque for fixing nut	2.0kg/cm

Electrical Specification

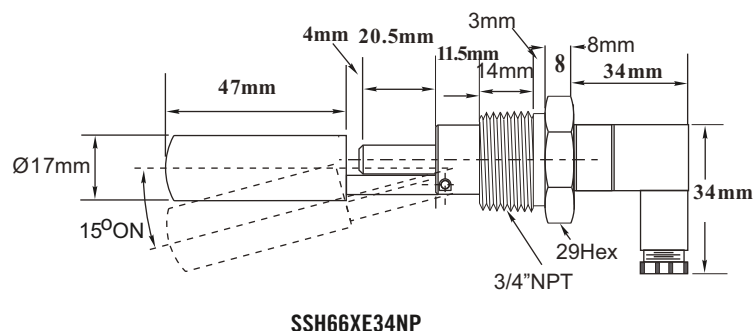
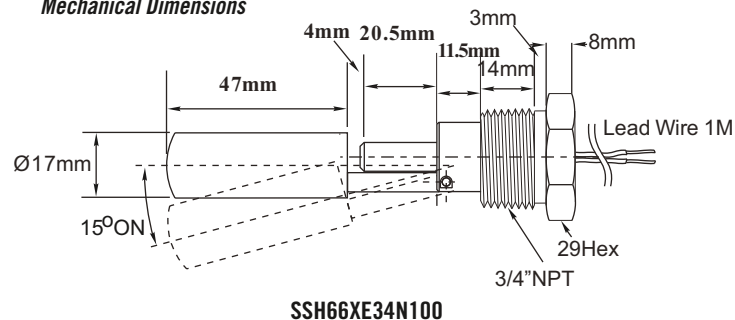
Contact Form		N/O (N/C)
Switching Power Max	VA	50
Switching Voltage AC Max	V	300
Switching Voltage DC Max	V	300
Switching Current Max	A	0.5

All ratings are for resistive load only.

Standard Parts	Stem Material	Float Material	Max Power	Leadouts
SSH66XE34N100	304SS	316SS	50VA	100cm XLPE 17/0.1
SSH66XE34NP	304SS	316SS	50VA	DIN connector

Custom versions can be made for particular applications. Please contact Cynergy3 with your requirements.

Mechanical Dimensions



Made in the UK

www.cynergy3.com