

Support Rods & Spacers

PSR and AS Series

Note that dimensions in parentheses (mm) reflect metric assembly features



PSR and AS Series

Platform Support Rods

Our PSR series platform support rods are a solid solution for supporting platforms or other mechanical hardware. Our PSR platform support rods are specifically designed to be used with our 1200 and 12000 series platforms. PSR platform support rods are cross drilled to accept a 3/16 hex wrench. This cross hole enables secure tightening to AS spacers, isolation table tops, or other mechanical devices. When used in conjunction with AS aluminum spacers, accurate placement of our platforms, manipulators, or other devices is easily achieved.

Aluminum Spacers

Use AS aluminum spacers for spacing of any device that needs to be adjusted in either the vertical or horizontal plane. AS spacers can be used by themselves or with ABP series base plates. They are also useful for added height adjustment on top of our PSR platform support rods. For horizontal applications use our BB-1.0 building block cube attached to the top of an AS spacer, then bolt another AS spacer to one or more of the four sides.



Individual size spacers are available in packages of 4 or in assortment kits. See ordering information at left and below.

Product Features

- Solid aluminum construction
- Sizes from 0.125- to 10.0-inch
- Cost-effective support system
- Vacuum compatible versions available upon request

Related Products

platforms	beginning 102
post mount clamp	112
perfusion chambers	192

Order Information

platform support rods	
4.0 inch	PSR-4.0
6.0 inch	PSR-6.0
10.0 inch	PSR-10.0

Aluminum spacers, Assortment kit	AS-1A
.125", package of 4	AS-.125
.250", package of 4	AS-.250
.500", package of 4	AS-.500
1.00", package of 4	AS-1.00
1.50", package of 4	AS-1.50
2.00", package of 4	AS-2.00
4.00", package of 1	AS-4.00
6.00", package of 1	AS-6.00

Metric Order Information

platform support rods	
100 mm	PSR-100
150 mm	PSR-150
250 mm	PSR-250

Aluminum spacers, Assortment kit	AS-25A
3 mm, package of 4	AS-3
7 mm, package of 4	AS-7
15 mm, package of 4	AS-15
25 mm, package of 4	AS-25
40 mm, package of 4	AS-40
50 mm, package of 4	AS-50
100 mm, package of 1	AS-100
150 mm, package of 1	AS-150

AS-1A — Inch Size — Aluminum Spacers, Assortment Kit

- One (1) of each spacer size AS-.125 through AS-2.00
- Two (2) 1/4-20 x 5/8 stainless steel set screws to attach AS-1.50 to AS-2.00

AS-25A — Metric Size — Aluminum Spacers, Assortment Kit

- One (1) of each spacer size AS-3 through AS-50
- Two (2) M6 x 15 stainless steel set screws to attach AS-40 to AS-50



info@amstechnologies.com
www.amstechnologies-webshop.com

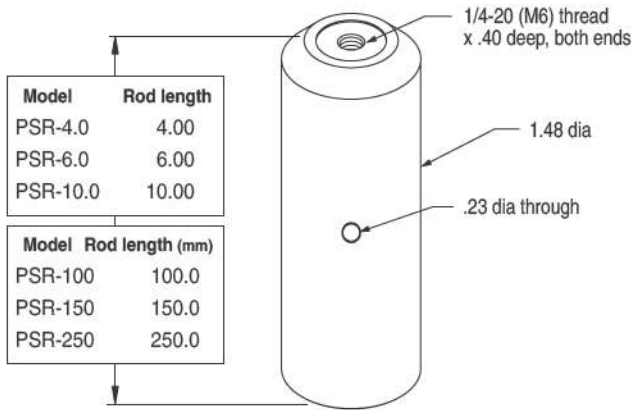


Platforms / Tables

Support Rods & Spacers

PSR Series

Note that dimensions in parentheses (mm) reflect metric assembly features



Model	Rod length
PSR-4.0	4.00
PSR-6.0	6.00
PSR-10.0	10.00

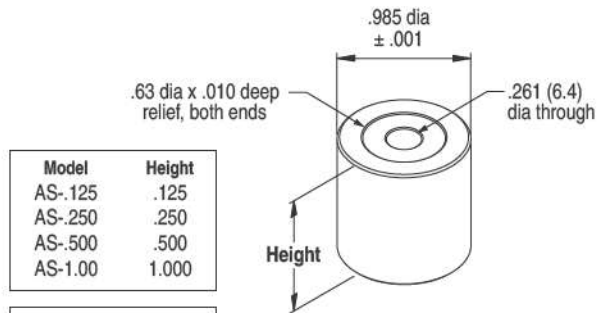
Model	Rod length (mm)
PSR-100	100.0
PSR-150	150.0
PSR-250	250.0



PSR Series

AS Series

Note that dimensions in parentheses (mm) reflect metric assembly features

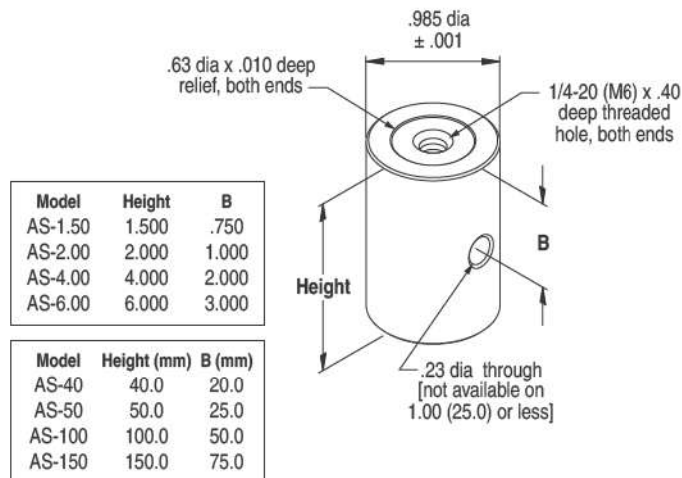


Model	Height
AS-.125	.125
AS-.250	.250
AS-.500	.500
AS-1.00	1.000

Model	Height (mm)
AS-3	3.0
AS-7	7.0
AS-15	15.0
AS-25	25.0



AS Series



Model	Height	B
AS-1.50	1.500	.750
AS-2.00	2.000	1.000
AS-4.00	4.000	2.000
AS-6.00	6.000	3.000

Model	Height (mm)	B (mm)
AS-40	40.0	20.0
AS-50	50.0	25.0
AS-100	100.0	50.0
AS-150	150.0	75.0



Post Mount
Clamps on page
112