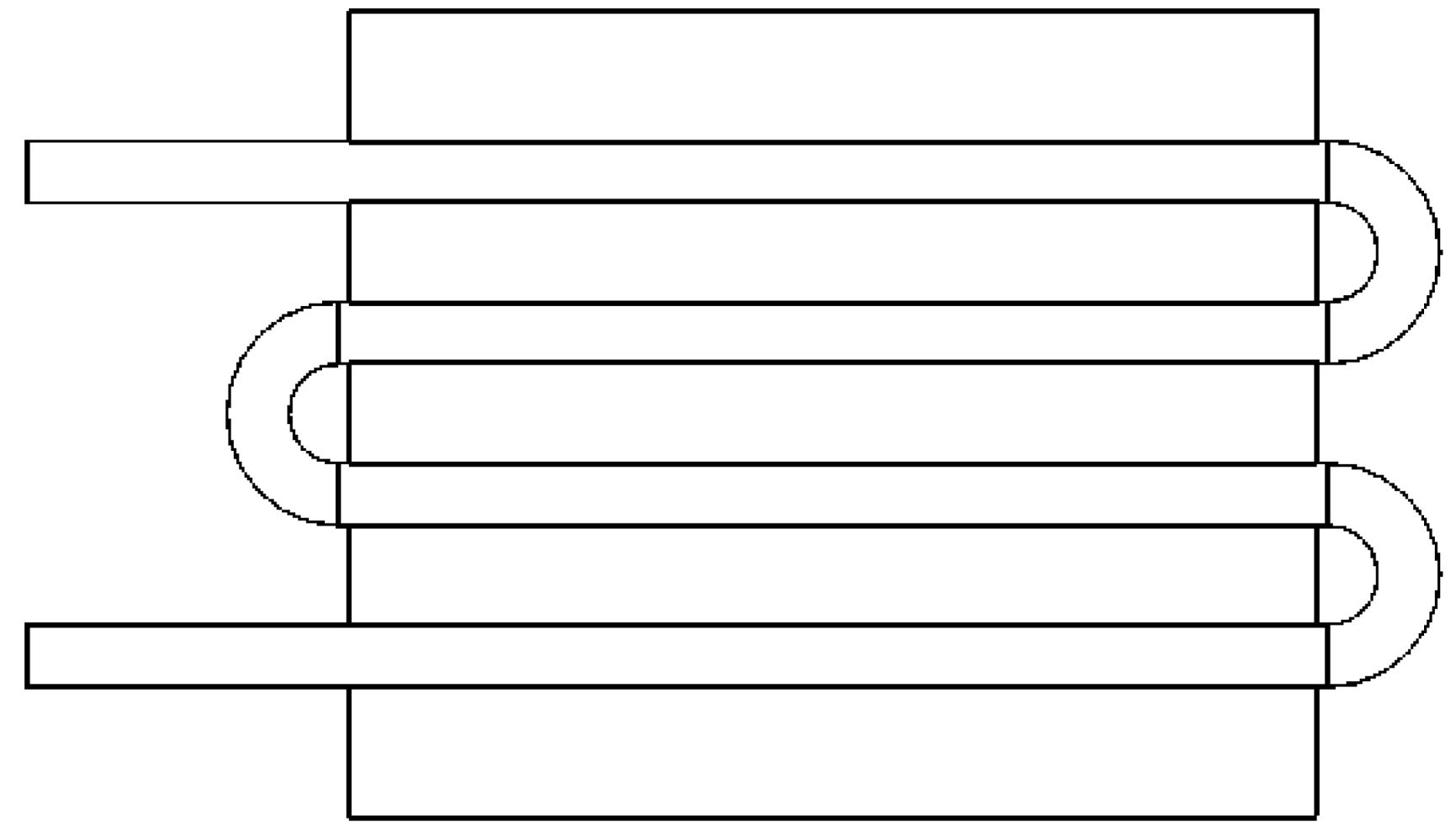
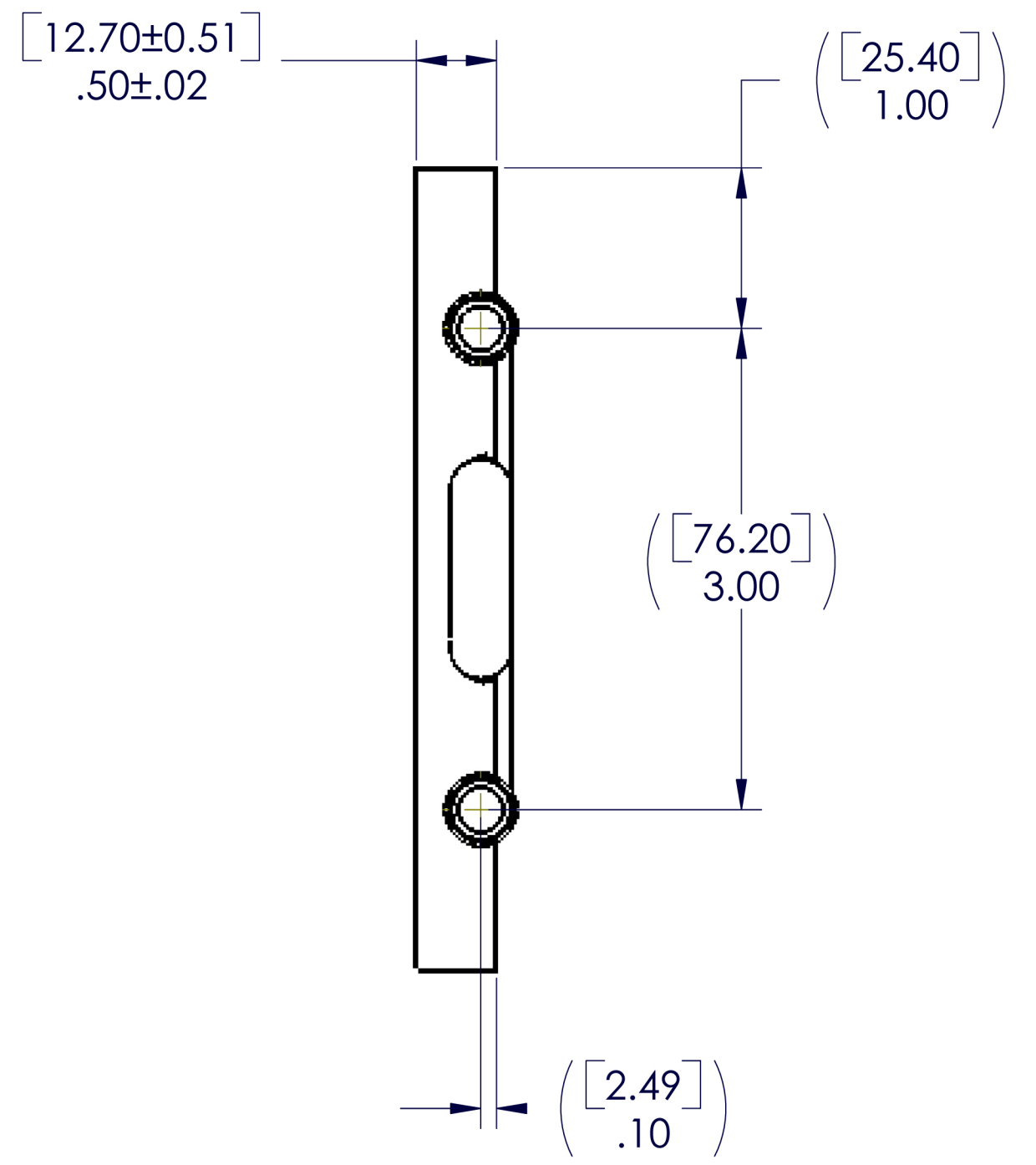
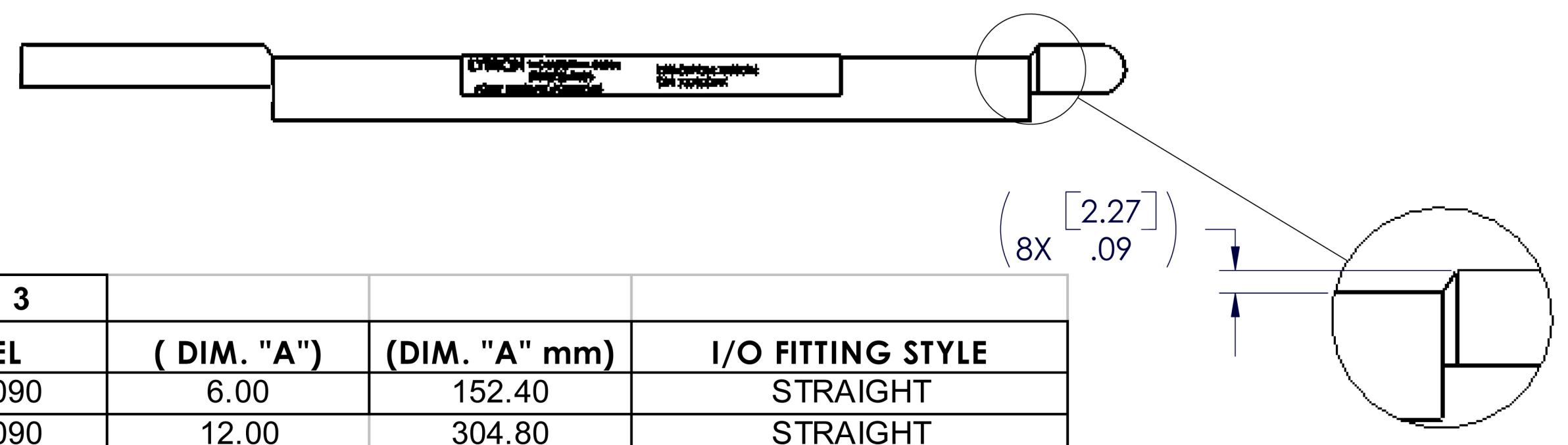


THIS DOCUMENT IS THE PROPERTY OF LYTRON, INC. AND REPRESENTS A PROPRIETARY ARTICLE ON WHICH LYTRON, INC. RETAINS ANY AND ALL PATENT AND OTHER RIGHTS, INCLUDING EXCLUSIVE RIGHTS OF USE AND/OR MANUFACTURE AND/OR SALE. POSSESSION OF THIS DOCUMENT DOES NOT CONVEY ANY PERMISSION TO REPRODUCE THE DOCUMENT OR MANUFACTURE THE ARTICLE OR ARTICLES SHOWN THEREIN.

REVISIONS						
ZONE	REV.	DESCRIPTION	DATE	DES	CHK'D	APP'D
	A	INITIAL RELEASE	8/27/04	PRV	PRV	PRV
	B	REV PER ECN 12969	02/09/05	HLD	PRV	PRV



STRAIGHT TUBE CONFIGURATION



DETAIL B  
SCALE 2 : 1

	ITEM 1	ITEM 2	ITEM 3			
LYTRON P/N	EXTRUSION	TUBING P/N	LABEL	( DIM. "A" )	(DIM. "A" mm)	I/O FITTING STYLE
CP12G01	360-0033-01	431-0377-01	810-0090	6.00	152.40	STRAIGHT
CP12G05	360-0033-02	431-0377-02	810-0090	12.00	304.80	STRAIGHT

- NOTES:
- MATERIAL:  
PLATE: ALUMINUM.  
TUBING CIRCUIT: .375 [9.52MM] O.D. COPPER
  - DIMENSIONS IN [ ] ARE IN MILLIMETERS.
  - FLATNESS: .001IN/IN [ .025MM/25.4MM]

FINAL	FINAL
NEXT ASSY	USED ON
APPLICATION	

LIST OF MATERIALS OR PARTS LIST			
UNLESS OTHERWISE SPECIFIED	DRN	P. VIEIRA	DATE 8/27/2004
ANGULAR DIMENSIONS ARE ± 1°	CHK'D		
SURFACE ROUGHNESS 125 (3.2μ)	APPV'D	P. VIEIRA	8/27/2004
BREAK EDGES .010 MAX.	APPV'D		
REMOVE ALL BURRS	APPV'D		
TOLERANCE ON DECIMALS			
.X	.XX	.XXX	
INCH ±.X	±.03	±.005	
(mm) ±.X	±.XX	±.XXX	
DO NOT SCALE THIS DRAWING			
THIRD ANGLE PROJECTION	MATL	SEE NOTES	
DIMENSIONS AND TOLERANCING ARE PER ANSI STD Y14.5	FINISH	N/A	

<b>LYTRON</b> Total Thermal Solutions		Lytron Inc. 55 Dragon Ct. Woburn Ma. 01801	
DRAWING TITLE			
<b>COLD PLATE, PRESS LOCK 4 PASS</b>			
SIZE	FSCM NO.	DRAWING NO.	REV
D	11245	S-CP12GXX	B
SCALE	1/1	WT.	SHEET 1 OF 1