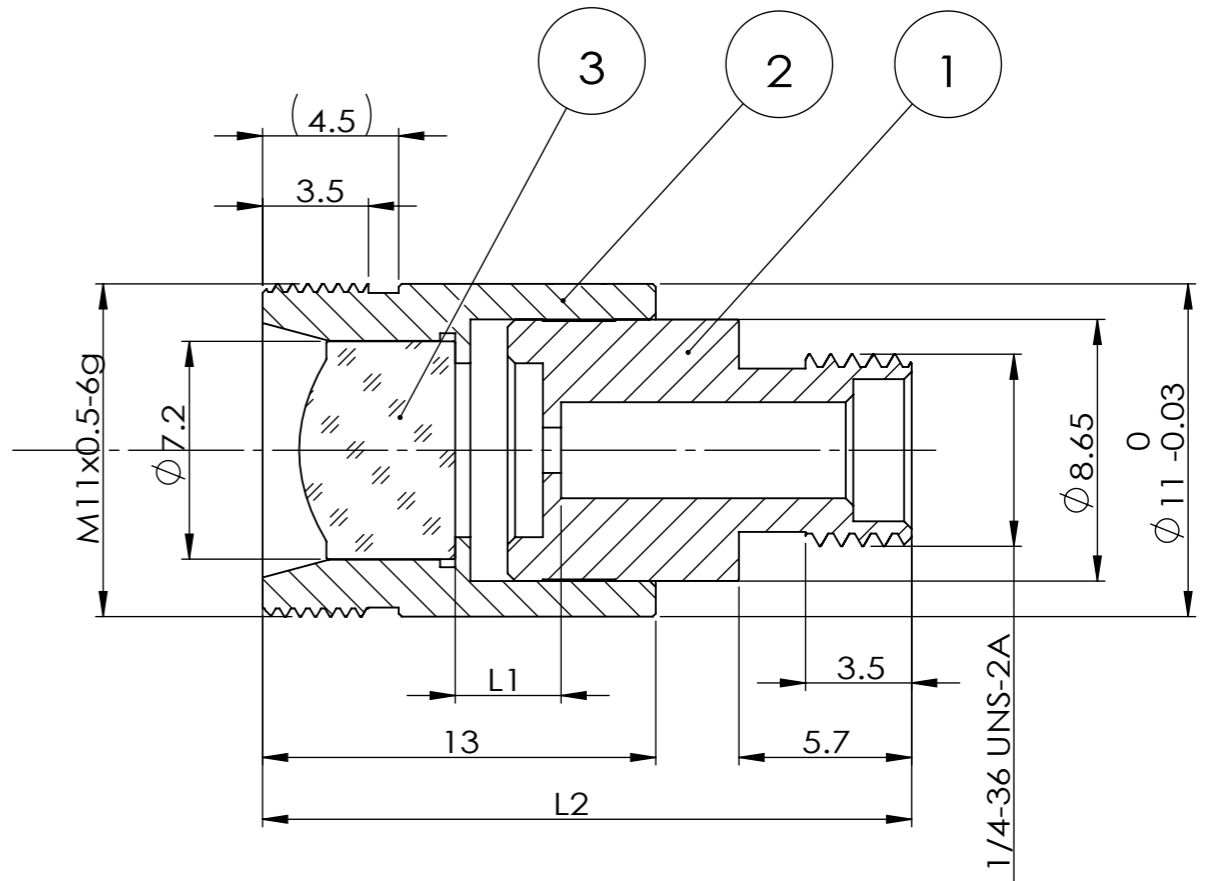
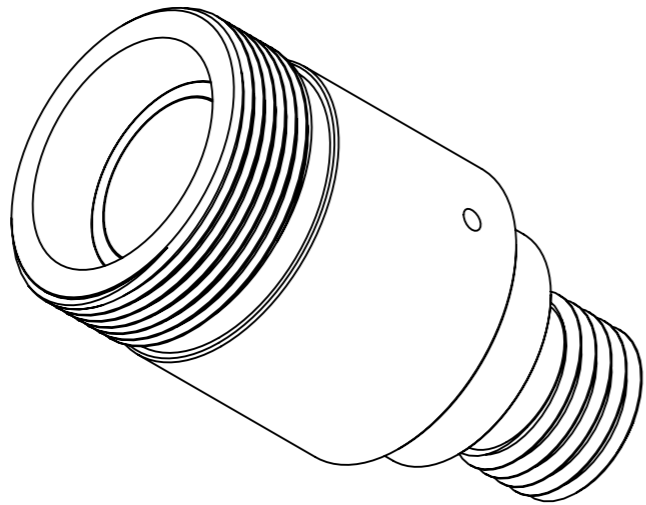


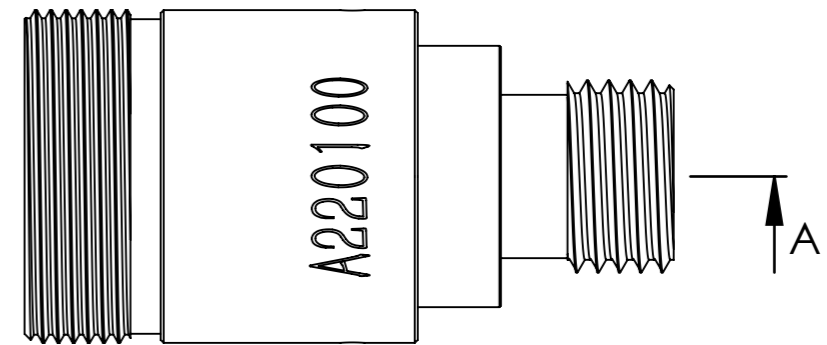
Distributor

 info@amstechnologies.com
 www.amstechnologies-webshop.com
Contact us 

| ITEM | Material | DESCRIPTION |
|-----------|-------------|----------------|
| 1 3420003 | SUS 304L | SMA CONNECTORS |
| 2 3420011 | SUS 304L | HOUSING |
| 3 LE6240 | D-ZLAF52LAM | MOLDED ASPHERE |

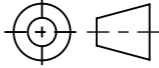



SECTION A-A



| PART NUMBER | λ | ALIGNMENT FIBER | L1 (mm) | L2 ± 0.25 (mm) |
|-------------|-----------|-----------------|---------|--------------------|
| FE624030405 | 405nm | C405 | 3.08 | 21.24 |
| FE624030532 | 532nm | 460HP | 3.24 | 21.40 |
| FE624030633 | 633nm | SM600 | 3.31 | 21.47 |
| FE624030780 | 780nm | 780HP | 3.36 | 21.52 |
| FE624031064 | 1064nm | HI 1060 | 3.42 | 21.58 |
| FE624031310 | 1310nm | SMF-28e | 3.45 | 21.61 |
| FE624031550 | 1550nm | SMF-28e | 3.48 | 21.64 |

DO NOT SCALE DRAWING.

DRAWING PROJECTION. 

 **GH Optics (Jiangsu) Co., Ltd.**
www.ghoptics.cn

TITLE: Connectorized Collimators with SMA

DWG NO. FE624030405

| | |
|--------|------|
| NAME | DATE |
| DRAWN | |
| CHK'D | |
| APPV'D | |

UNIT: mm SIZE: A3 SHEET 1 OF 1 REV. A