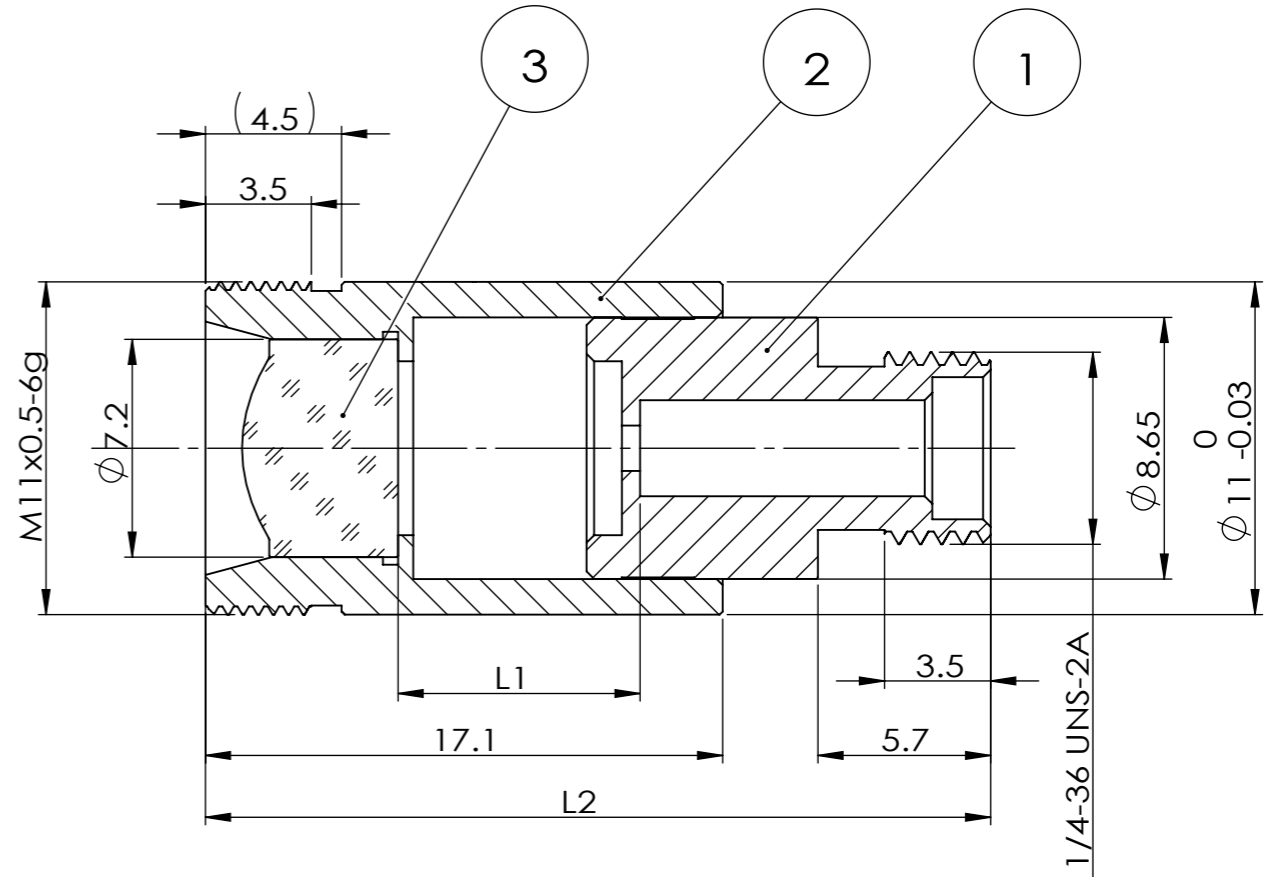
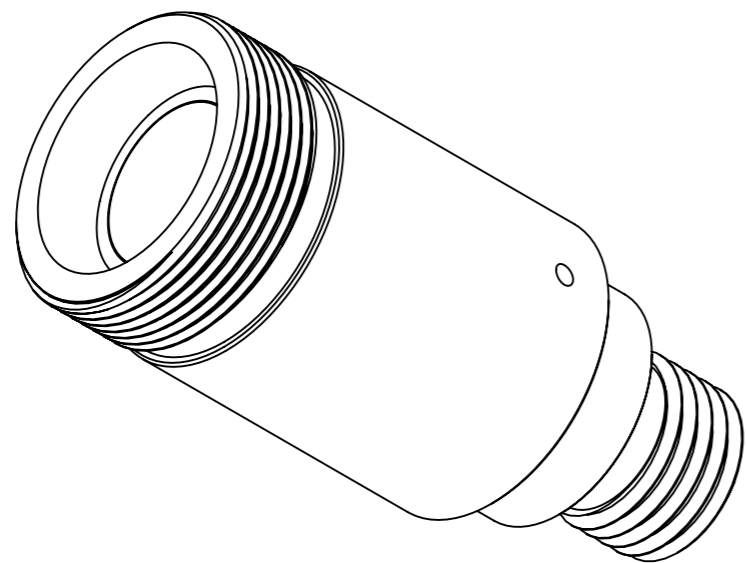


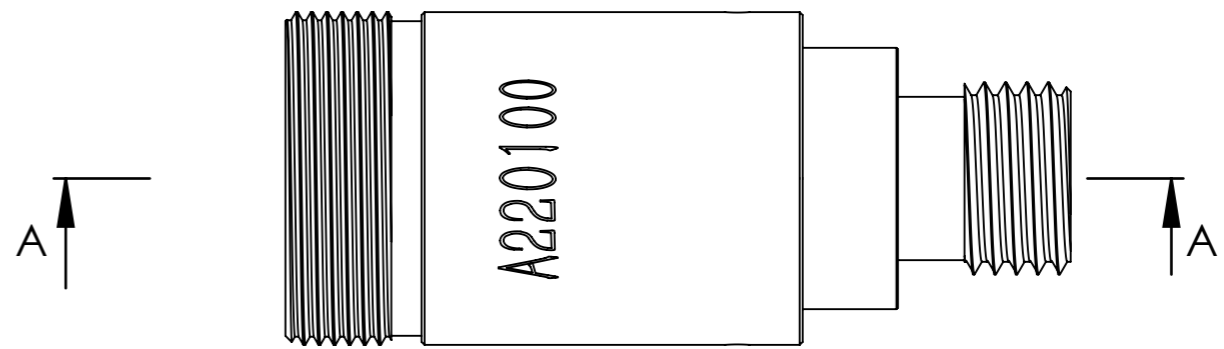
Distributor

 info@amstechnologies.com
 www.amstechnologies-webshop.com
Contact us

| ITEM | Material | DESCRIPTION |
|-----------|----------|----------------|
| 1 3420003 | SUS 304L | SMA CONNECTORS |
| 2 3420015 | SUS 304L | HOUSING |
| 3 LDA130 | D-ZK3M | MOLDED ASPHERE |

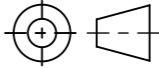


SECTION A-A



| PART NUMBER | λ | ALIGNMENT FIBER | L1 (mm) | L2 ± 0.25 (mm) |
|-------------|-----------|-----------------|---------|--------------------|
| FDA13030405 | 405nm | C405 | 7.53 | 25.69 |
| FDA13030532 | 532nm | 460HP | 7.74 | 25.90 |
| FDA13030633 | 633nm | SM600 | 7.82 | 25.98 |
| FDA13030780 | 780nm | 780HP | 7.90 | 26.06 |
| FDA13031064 | 1064nm | HI 1060 | 7.99 | 26.15 |
| FDA13031310 | 1310nm | SMF-28e | 8.05 | 26.21 |
| FDA13031550 | 1550nm | SMF-28e | 8.11 | 26.27 |

DO NOT SCALE DRAWING.

DRAWING PROJECTION. 

GH Optics (Jiangsu) Co., Ltd.
 www.ghoptics.cn
GHOPTICS
 光皓光学

TITLE: Connectorized Collimators with SMA

DWG NO. FDA13030405

| | |
|--------|------|
| NAME | DATE |
| DRAWN | |
| CHK'D | |
| APPV'D | |

UNIT: mm SIZE: A3 SHEET 1 OF 1 REV. A