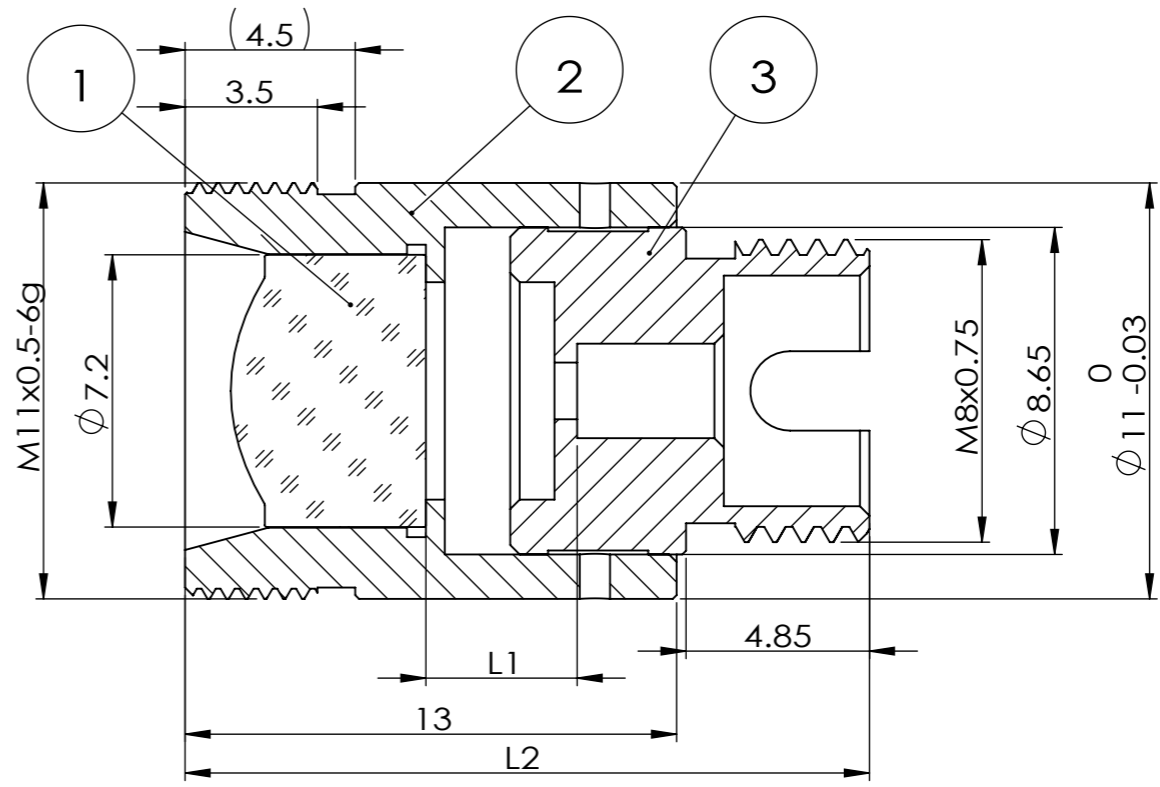
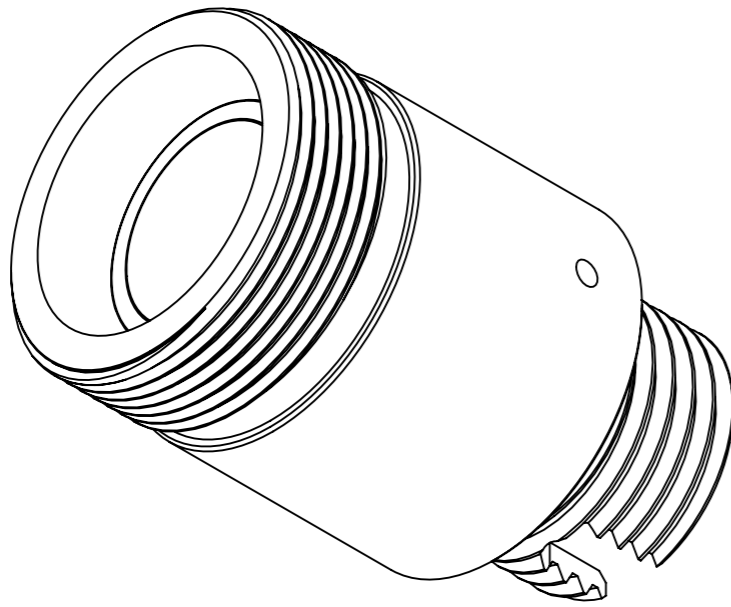
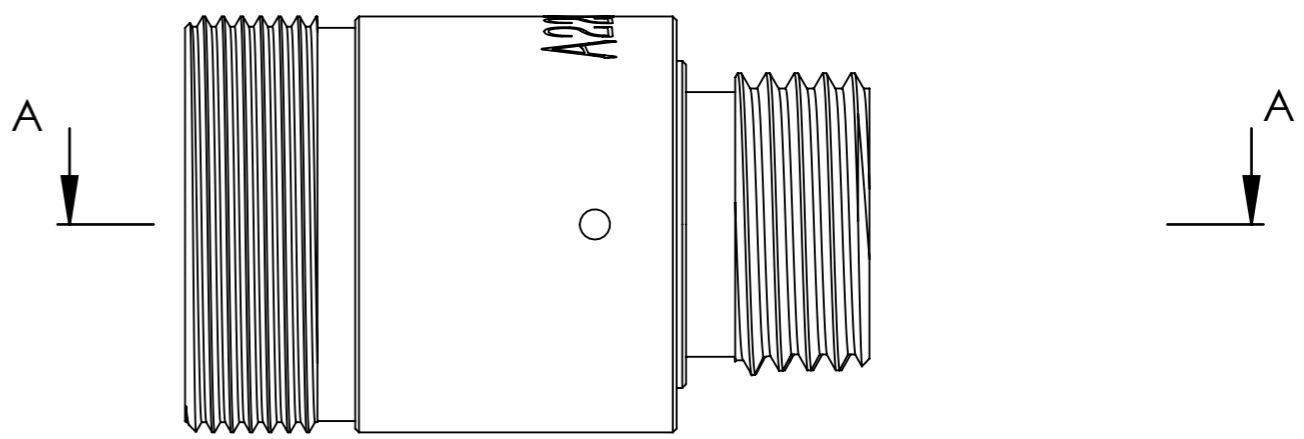


Distributor  
  
 info@amstechnologies.com  
 www.amstechnologies-webshop.com  
**Contact us**

ITEM	Material	DESCRIPTION
1	LE6240	D-ZLAF52LAM
2	3420011	SUS 304L
3	3420002	SUS 304L

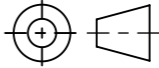



SECTION A-A



PART NUMBER	$\lambda$	ALIGNMENT FIBER	L1 (mm)	L2 $\pm 0.25$ (mm)
FE624020405	405nm	C405	3.08	17.18
FE624020532	532nm	460HP	3.24	17.34
FE624020633	633nm	SM600	3.31	17.41
FE624020780	780nm	780HP	3.36	17.46
FE624021064	1064nm	HI 1060	3.42	17.52
FE624021310	1310nm	SMF-28e	3.45	17.55
FE624021550	1550nm	SMF-28e	3.48	17.58

DO NOT SCALE DRAWING.

DRAWING PROJECTION. 

 **GH Optics (Jiangsu) Co., Ltd.**  
 www.ghoptics.cn  
 A

TITLE: Connectorized Collimators with FC/PC

DWG NO. FE624020405

NAME	DATE
DRAWN	
CHK'D	
APPV'D	

UNIT: mm    SIZE: A3    SHEET 1 OF 1    REV. A