

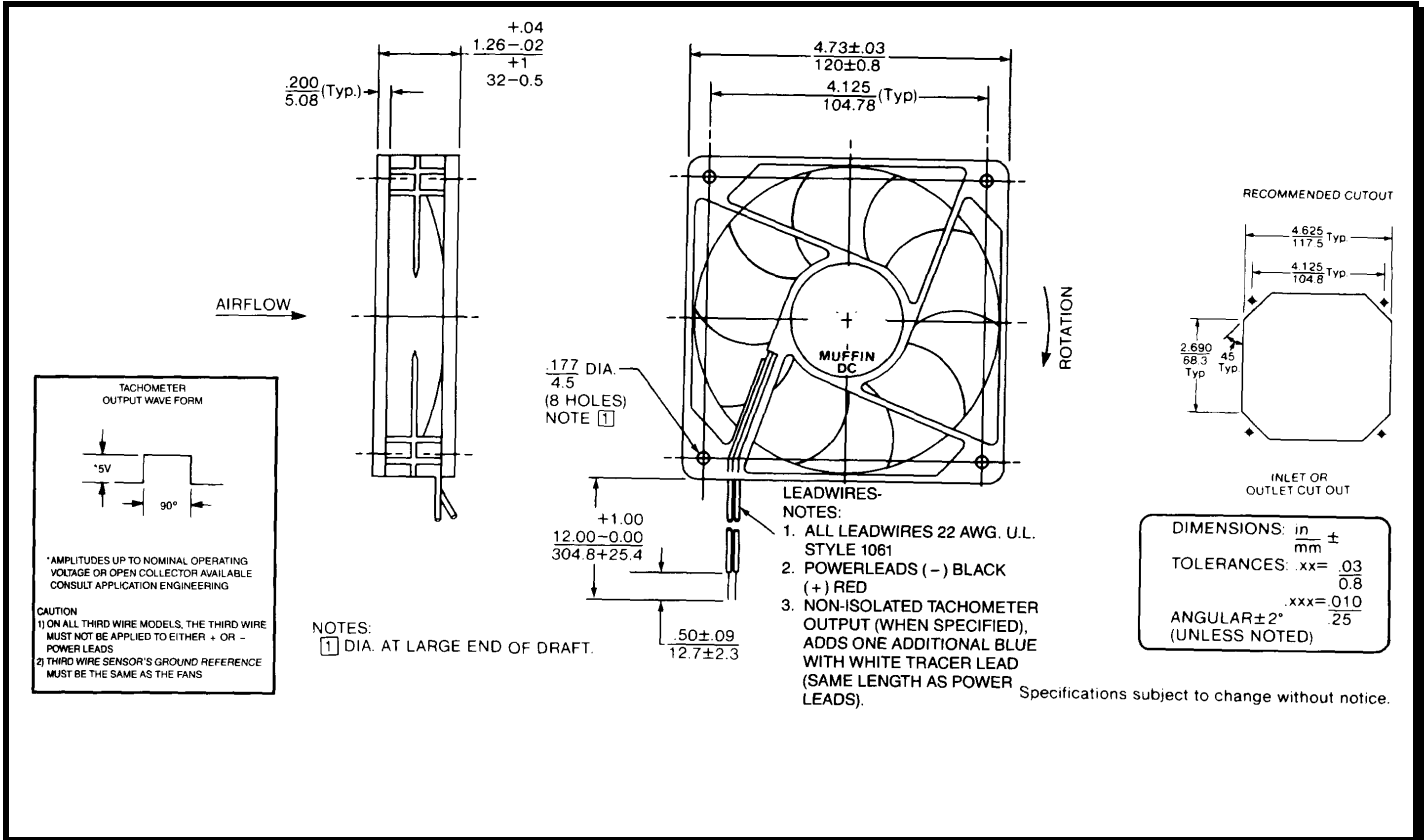
# SPECIFICATIONS



**Model Number:** MC12B3  
**Part Number:** 19032489A

February 25, 2005

## Mechanical Drawing:



### Motor:

Nominal Voltage = 12 vdc  
 Operating Voltage Range = 6 – 14 vdc  
 Nominal Running Current = 0.660 amps  
 Locked Rotor Current = 1.750amps  
 Running Power = 7.9 watts  
 Average Speed = 3700 RPM  
 Bearings = Ball  
 Air Flow = 102 CFM  
 Acoustic = 47.8 dBA

### Construction:

Venturi: Lexan 500, Black, UL 94V-0  
 Propeller: Plastic, Black, UL 94V-0

### Life Expectancy:

This fan is designed for continuous duty life of 78,000 hours at 40°C.

### Additional Features:

Brushless DC Motor  
 Polarity Protected.  
 Electronic Locked Rotor Protection  
 Automatic Restart Capability  
 Operating Temperature: -10°C to 70°C  
 Storage Temperature: -40°C to 85°C

### Termination:

12" Lead wires, 22AWG, UL 1061  
 Red = Power (+)  
 Black = Return (-)

### Agency Approvals:

UL, CE