

1.MATERIAL: L-LAL12M  
 2.ASSUME 0.25 BK7 WINDOW FOR LASER DIODE  
 3.NOMINAL PARAMETERS:  
 WAVELENGTH:405 nm  
 NUMERICAL APERTURE:0.66  
 EFFECTIVE FOCAL LENGTH: 2.5mm  
 WORKING DISTANCE: 1.55mm

Notes :

1. Evenasphere Formula are defined by :

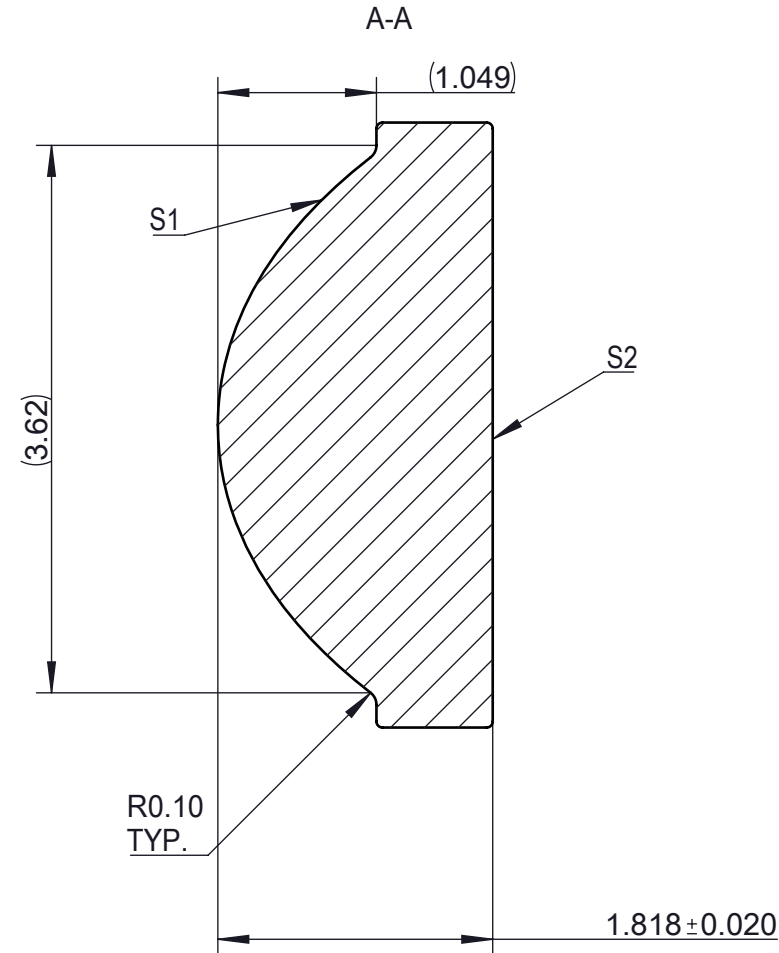
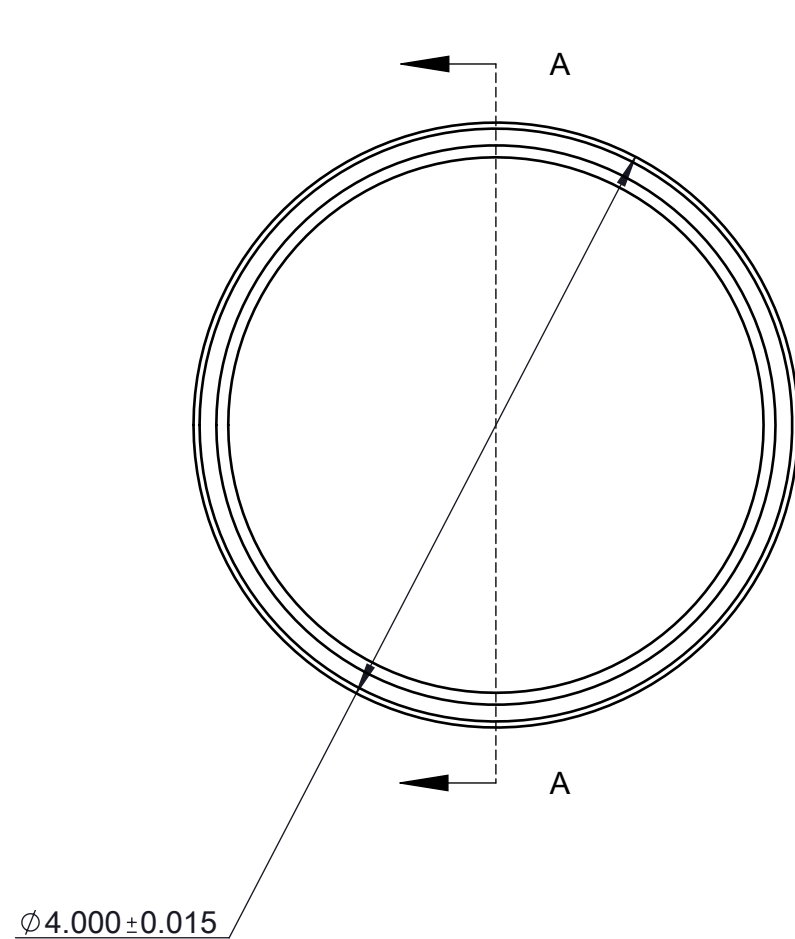
$$Z(r) = \frac{r^2 / R_c}{1 + \sqrt{1 - (1 + K) (r / R_c)^2}} + \sum_i A_{2i} r^{2i}$$

2. The coefficients are as below :

	S1	S2
R <sub>c</sub>	1.764640	0.000000E+00
K	-0.999999	0.000000E+00
A <sub>2</sub>	0.000000E+00	0.000000E+00
A <sub>4</sub>	1.109671E-002	0.000000E+00
A <sub>6</sub>	5.416893E-004	0.000000E+00
A <sub>8</sub>	-9.402151E-006	0.000000E+00
A <sub>10</sub>	-1.128876E-006	0.000000E+00
A <sub>12</sub>	-2.870842E-006	0.000000E+00
A <sub>14</sub>	2.065473E-007	0.000000E+00
A <sub>16</sub>	0.000000E0.0	0.000000E+00

3.REQUIREMENT

	S1	S2
Surface quality	S/D 40/20	
Clear Aperture	3.30mm	2.50mm
WFE	RMS<0.300λ@633nm PV<0.250λ@633nm,50% APERTURE	
Roughness	Ra<5nm	



Distributor

info@amstechnologies.com  
www.amstechnologies-webshop.com

**Contact us**

Rev	ECO	Notes	Sign	Date
A	01	Initial	Clay	2021/7/15

MATERIAL  
**L-LAL12M**

UNLESS OTHERWISE SPECIFIED  
 Unit is MM.  
 DEFAULT TOLERANCE:  
 .X ±0.25  
 .XX ±0.10  
 .XXX ±0.025  
 Angles: ±0.5°



光皓光学 (江苏) 有限公司  
 GH Optics(Jiangsu) Co.,Ltd.

图幅 A4 单位 公制 第一视角

LF2570UC-10

A

第 1 张 共 1 张