



## DTS Raman Source

### 1. Product Description

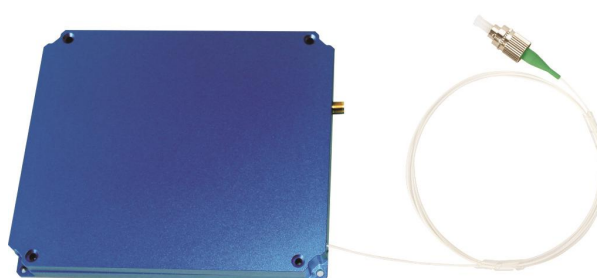
Beogold's DTS Raman source is widely used in DTS distributed temperature sensing systems, laser ranging, and fiber optic sensing systems. Its newly designed nanosecond pulse drive circuit provides stable pulse with small deformation and its optimized low-noise EDFA can achieve high peak nanosecond pulse output, which can be easily controlled via upper computer software.

The module integrates pulse signal generator inside. It can also be triggered via an external signal.

Rigorous environmental testing ensures its long-term reliability and stability, making it ideal for OEM integration.

### 2. Features

- High output peak power
- Operating temperature: -10~60°C
- Tunable pulse width
- High stability and reliability



### 3. Applications

- DTS temperature measuring
- Laser ranging
- Lab research
- Fiber optic sensing system

### 4. Optical Specifications

| Parameter            | Unit  | Minimum    | Typical | Maximum |
|----------------------|-------|------------|---------|---------|
| Operating Wavelength | nm    | -          | 1550.12 | -       |
| Output Peak Power    | W     | 0.1        | 30      | 30      |
| Pulse Width          | ns    | 5          | 5       | 100     |
| Repeat Frequency     | KHz   | 0.01       | 10      | 100     |
| -3db Spectral Width  | nm    | -          | -       | 0.3     |
| Output Stability     | %     | -          | -       | 1       |
| SMSR                 | dB    | 50         | -       | -       |
| Output Isolation     | dB    | 45         | -       | -       |
| Working Temperature  | °C    | -10        | -       | 60      |
| Storage Temperature  | °C    | -40        | -       | 80      |
| Humidity             | %     | 5          | -       | 90      |
| Fiber Bend Diameter  | mm    | 30         | -       | -       |
| Power Supply         |       | DC +5V GND |         |         |
| Consumption          | W     | -          | -       | 15      |
| Dimension            | mm    | 150*125*19 |         |         |
| Connector            | Input | Output     |         |         |



**Distributor**  
**amstechnologies**  
where technologies meet solutions

info@amstechnologies.com  
www.amstechnologies-webshop.com

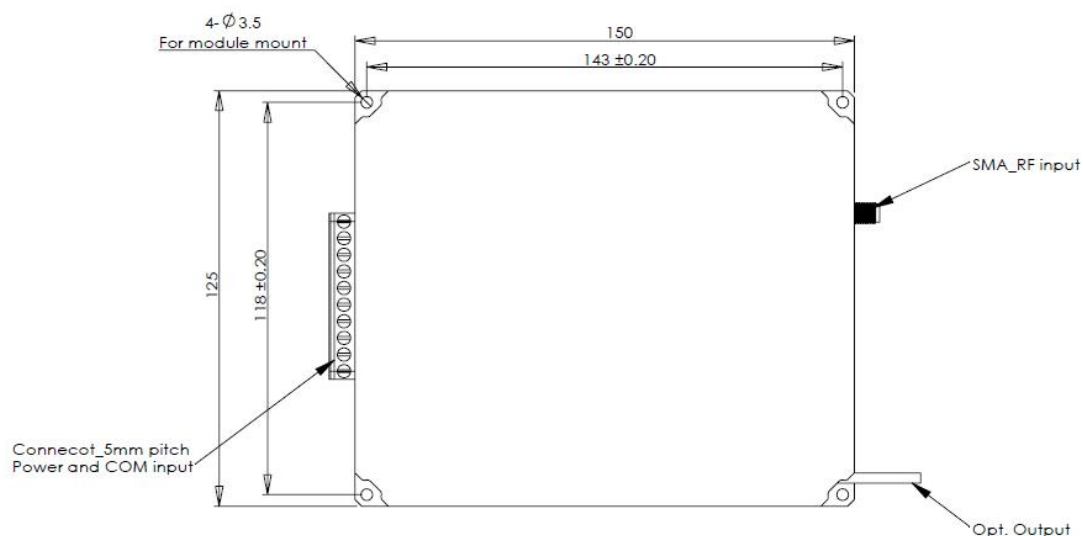
**Contact us**



|                              |                            |        |  |  |
|------------------------------|----------------------------|--------|--|--|
|                              | SMA                        | FC/APC |  |  |
| Pigtail Fiber                | MMF 62.5/125 1m loose tube |        |  |  |
| Communication User Interface | Read and set output power  |        |  |  |

### 5. Mechanical Structure

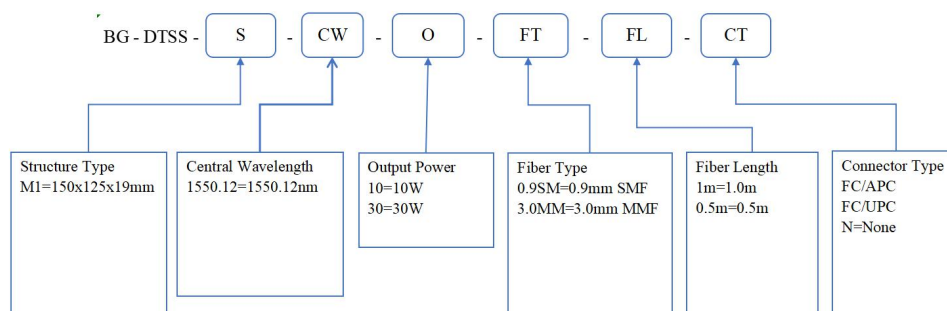
| Structure Type | Parameter       | Description  | Unit | Remarks  |
|----------------|-----------------|--------------|------|----------|
| Module         | Dimension       | 150x125x19   | mm   | Optional |
|                | Power Supply    | DC +/-5V/GND |      | Typical  |
|                | Fiber Connector | FC/APC       |      | Optional |



### 6. Electrical Specifications

| Structure Type | Parameter         | Description  | Unit | Remarks          |
|----------------|-------------------|--------------|------|------------------|
| Module         | Power Supply      | DC +/-5V/GND |      |                  |
|                | Power Consumption | <10          | W    | Room temperature |

### 7. Ordering Information





**amstechnologies**  
where technologies meet solutions

Distributor

info@amstechnologies.com  
www.amstechnologies-webshop.com

**Contact us**