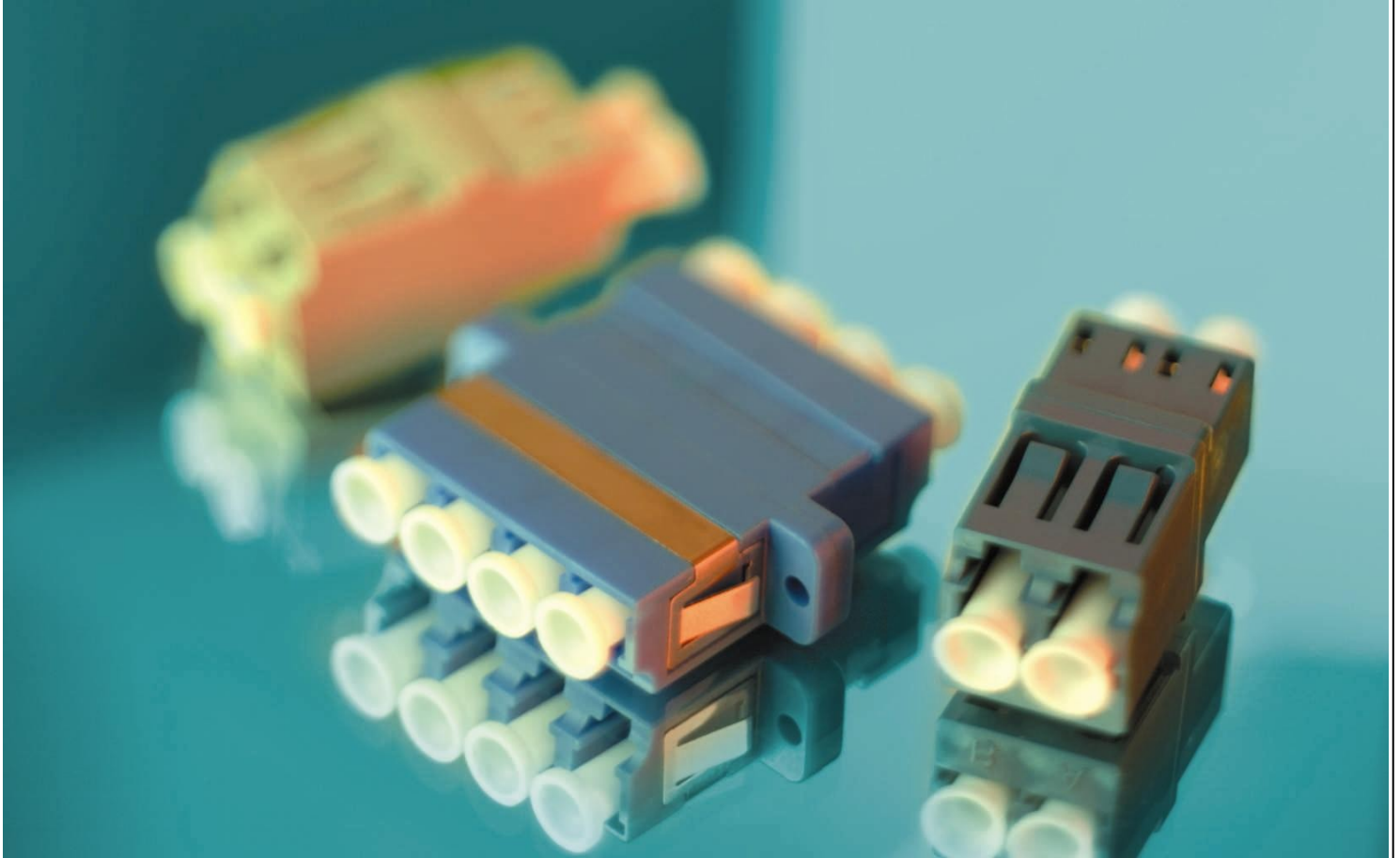
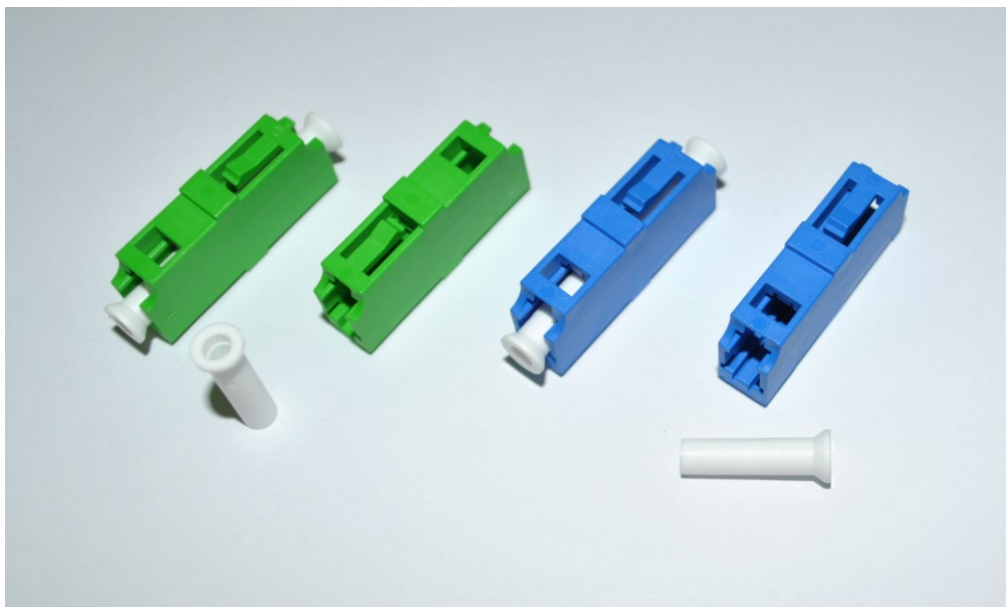


# LC Simplex Adapter Senior/Senior



## T E C H N I C A L   S P E C I F I C A T I O N



## GENERAL

This specification covers the requirement of the LC simplex adapter according to IEC 61754-20 and TIA-604-10-B specification for SM and MM applications.

The housing type is one piece, senior/senior with plastic mount plate

## MODELS AVAILABLE

The LC simplex adapter is available in the following standard colours:

- Blue Ral 5015
- Green Ral 6018
- Aqua Ral 6027
- Beige Ral 1013

The straight alignment sleeves are available as:

- Low loss Zirconia for SM IL < 0.1 dB applications.
- Standard Zirconia for SM and MM applications
- Phosphor bronze only on request

## OPTICAL CHARACTERISTICS

### Max Insertion Loss [dB] – IEC 61300-3-42

Adapter Type	SM at 1310 nm	
	Low Loss Zirconia Sleeve	Standard Zirconia Sleeve
LC Simplex PC	< 0.1	< 0.2
LC Simplex APC	< 0.1	< 0.2

# M E C H A N I C A L   C H A R A C T E R I S T I C S

- Insertion loss variation during withdrawal < 0.20 dB
- Insertion loss variation after 500 connections < 0.10 dB

# M A T E R I A L S

Component	Material
External housing	PBT 20% FRP
Internal housing	PBT 20% FRP
Dust cap	PP
Sleeve	Zirconia

Optoplast products are **RoHS** and **REACH** compliant.

# E N V I R O N M E N T A L   S P E C I F I C A T I O N S

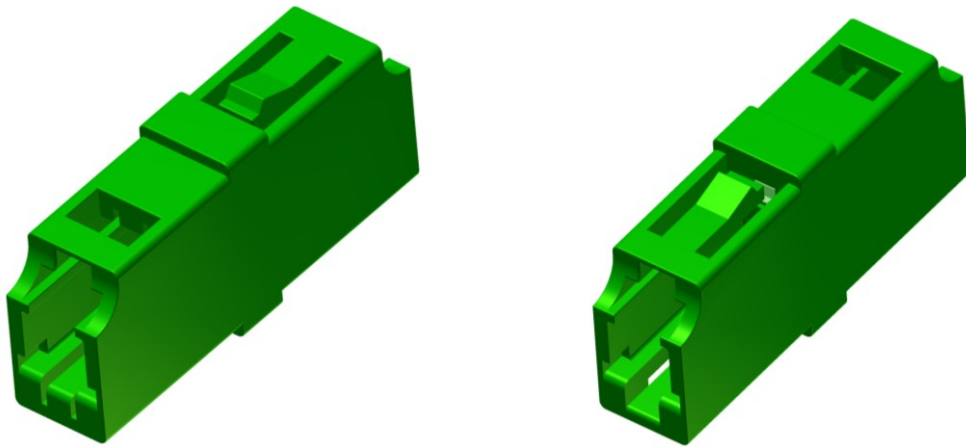
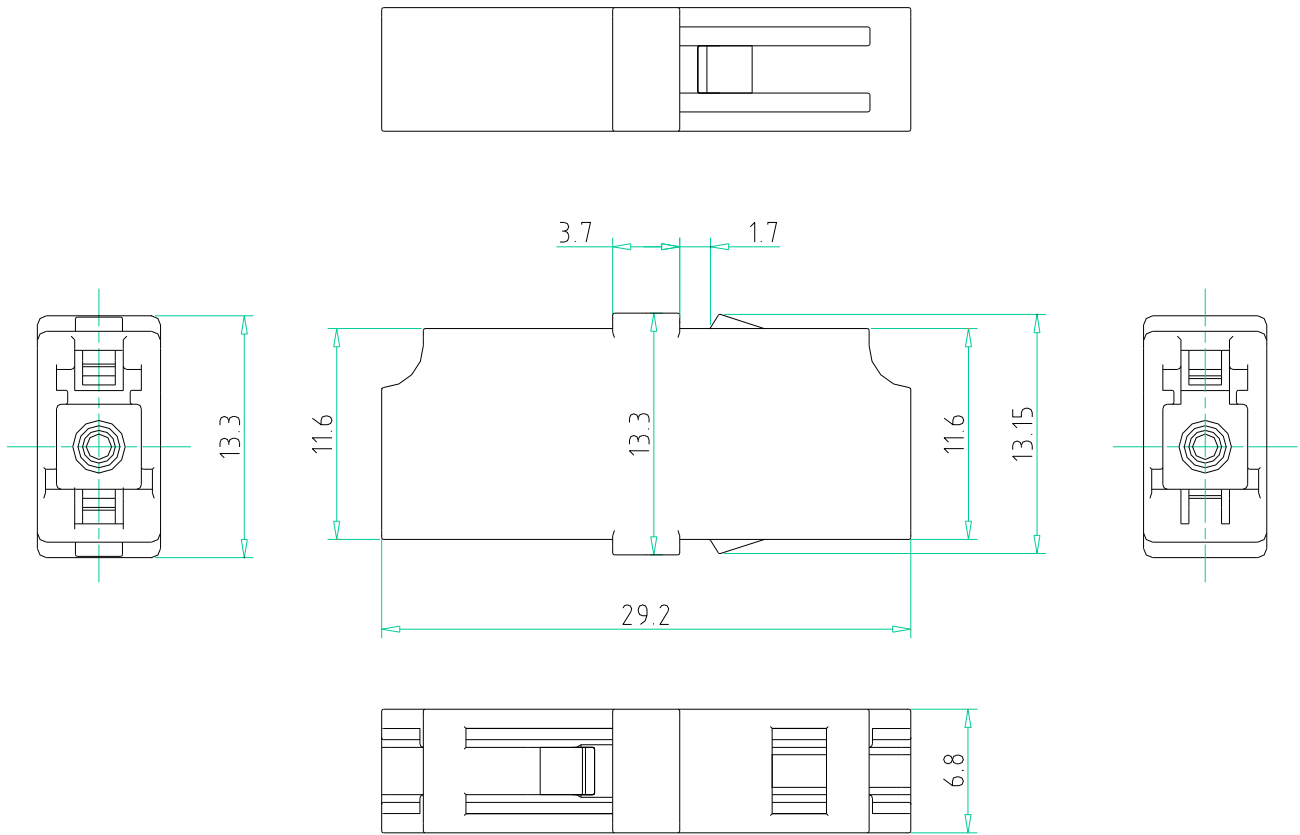
	min	max
Operating Temperature [°C]	-25	+70
Storage Temperature [°C]	-40	+85

# P A C K A G I N G

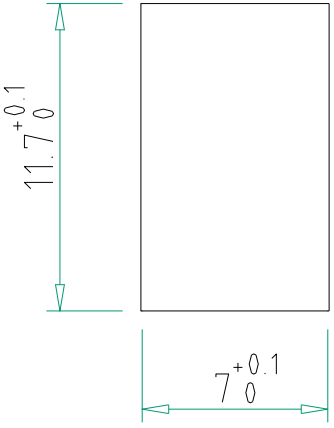
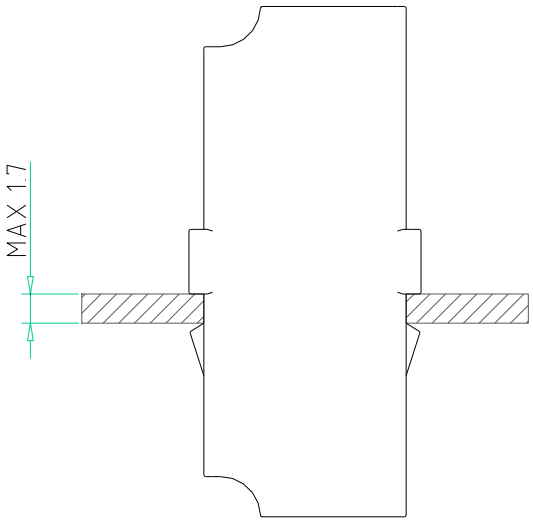
Standard packaging in plastic blister 50 pieces each layer, packaging is without any logo or any other company marking.

Customized packaging and labelling solutions are available on request.

LC Simplex Adapter Senior/Senior



# R E C O M M E N D E D P A N E L D I M E N S I O N S

Model	Panel Hole	Panel Thickness
LC Simplex	 <p style="text-align: center;"> <math>11.7^{+0.1}_0</math>  <math>7^{+0.1}_0</math> </p>	 <p style="text-align: center;">MAX 1.7</p>

E N D O F S P E C I F I C A T I O N