

1.MATERIAL: Ge(28)Sb(12)Se(60)
 2.NOMINAL PARAMETERS:
 WAVELENGTH:2500 nm
 NUMERICAL APERTURE:0.56
 EFFECTIVE FOCAL LENGTH: 4.0mm
 WORKING DISTANCE: 3.05mm

Notes :

1. Evenasphere Formula are defined by :

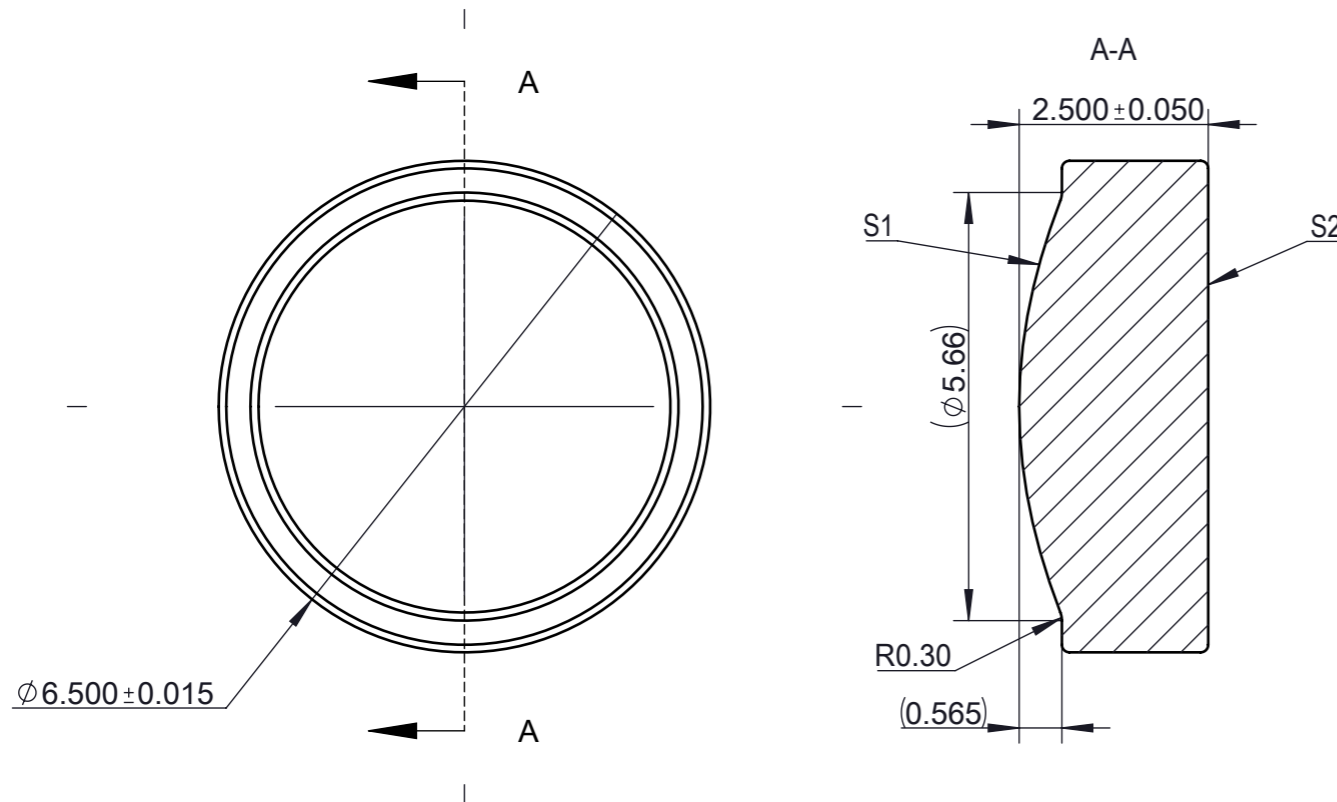
$$Z(r) = \frac{r^2 / R_c}{1 + \sqrt{1 - (1 + K) (r / R_c)^2}} + \sum_i A_{2i} r^{2i}$$

2. The coefficients are as below :

	S1	S2
Rc	6.520170	0.000000
K	-1.000000	0.000000
A2	0.000000E+00	0.000000E+00
A4	-3.983491E-04	0.000000E+00
A6	-5.626145E-06	0.000000E+00
A8	1.460026E-07	0.000000E+00
A10	5.734247E-09	0.000000E+00
A12	0.000000E+00	0.000000E+00
A14	0.000000E+00	0.000000E+00
A16	0.000000E+00	0.000000E+00

3.REQUIREMENT

	S1	S2
Clear Aperture	5.00mm	4.11mm
RADIUS ERROR	±0.013mm	
IRREGULARITY	PV<300nm,RMS<100nm	
SURFACE QUALITY	80/50	
Roughness	Ra<5nm	



Distributor

 where technologies meet solutions
 info@amstechnologies.com
 www.amstechnologies-webshop.com
 Contact us

A	22	Initial	Clay	2022/1/19
Rev	ECO	Notes	Sign	Date

MATERIAL

Ge(28)Sb(12)Se(60)

UNLESS OTHERWISE SPECIFIED

Unit is MM.

DEFAULT TOLERANCE:

.X ±0.25

.XX ±0.10

.XXX ±0.025

Angles: ±0.5°



光皓光学 (江苏) 有限公司
 GH Optics(Jiangsu) Co.,Ltd.

图幅 单位 第一视角

A4 公制

L24060UC-30

A

第 1 张 共 1 张