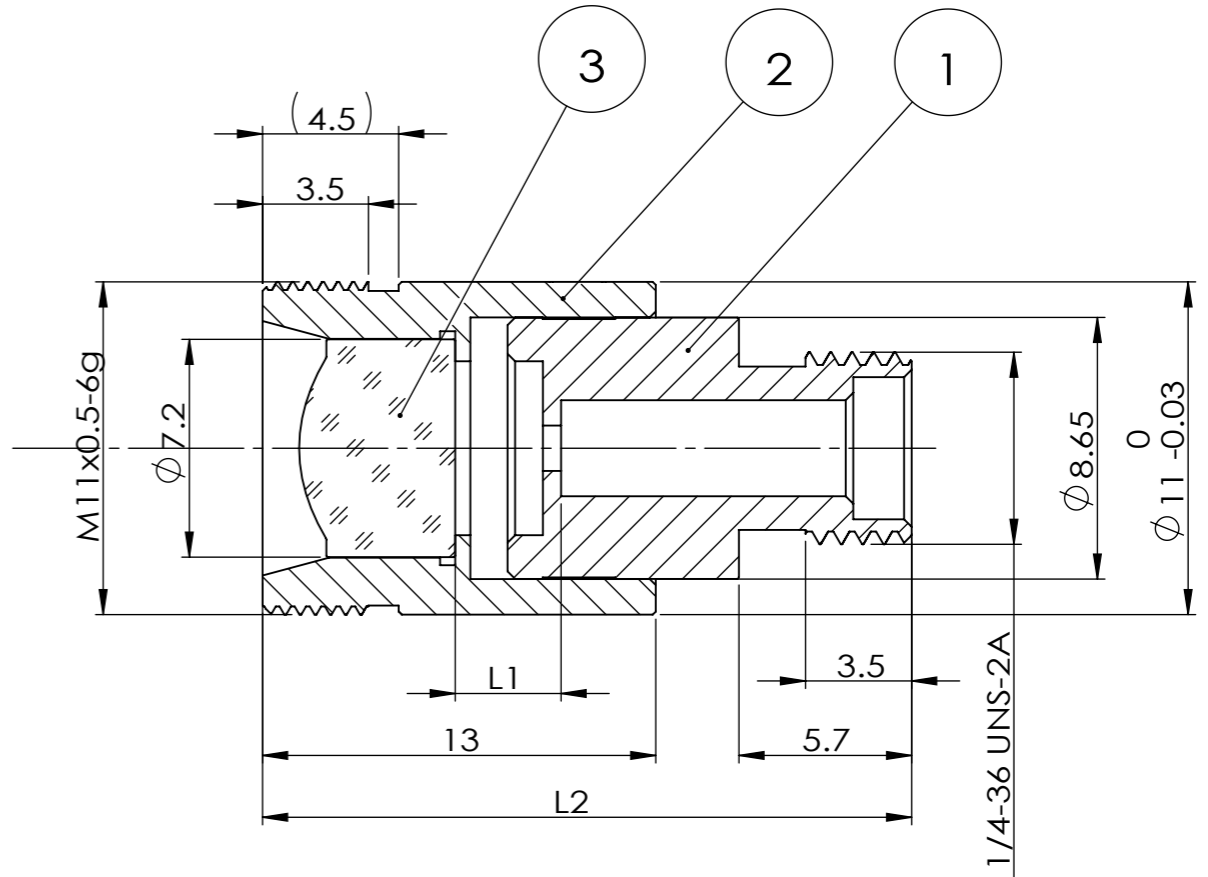
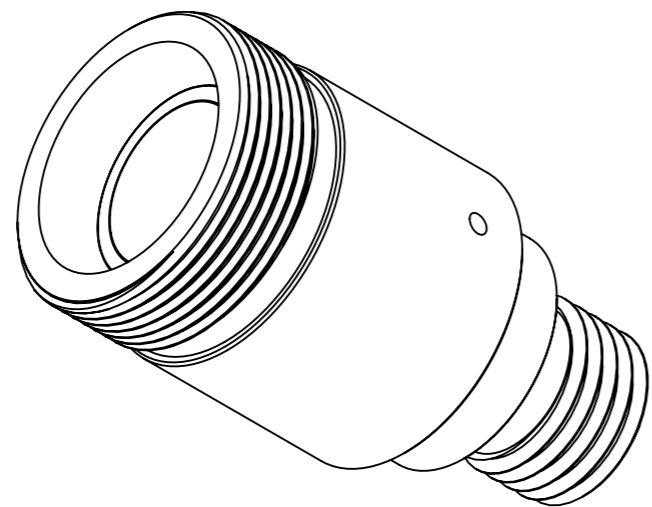


Distributor

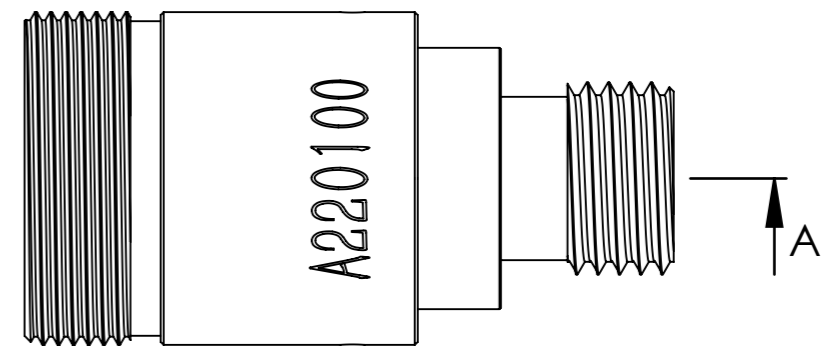
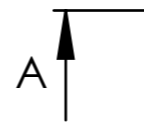
 info@amstechnologies.com
 www.amstechnologies-webshop.com
Contact us

ITEM	Material	DESCRIPTION
1 3420003	SUS 304L	SMA CONNECTORS
2 3420011	SUS 304L	HOUSING
3 LE6240	D-ZLAF52LAM	MOLDED ASPHERE

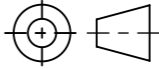


SECTION A-A

PART NUMBER	λ	ALIGNMENT FIBER	L1 (mm)	L2 ± 0.25 (mm)
FE624030405	405nm	C405	3.08	21.24
FE624030532	532nm	460HP	3.24	21.40
FE624030633	633nm	SM600	3.31	21.47
FE624030780	780nm	780HP	3.36	21.52
FE624031064	1064nm	HI 1060	3.42	21.58
FE624031310	1310nm	SMF-28e	3.45	21.61
FE624031550	1550nm	SMF-28e	3.48	21.64



DO NOT SCALE DRAWING.

DRAWING PROJECTION. 

GH Optics (Jiangsu) Co., Ltd.
 www.ghoptics.cn
GHOPTICS
 光皓光学

TITLE: Connectorized Collimators with SMA

DWG NO. FE624030633

NAME	DATE
DRAWN	
CHK'D	
APPV'D	

UNIT: mm SIZE: A3 SHEET 1 OF 1 REV. A