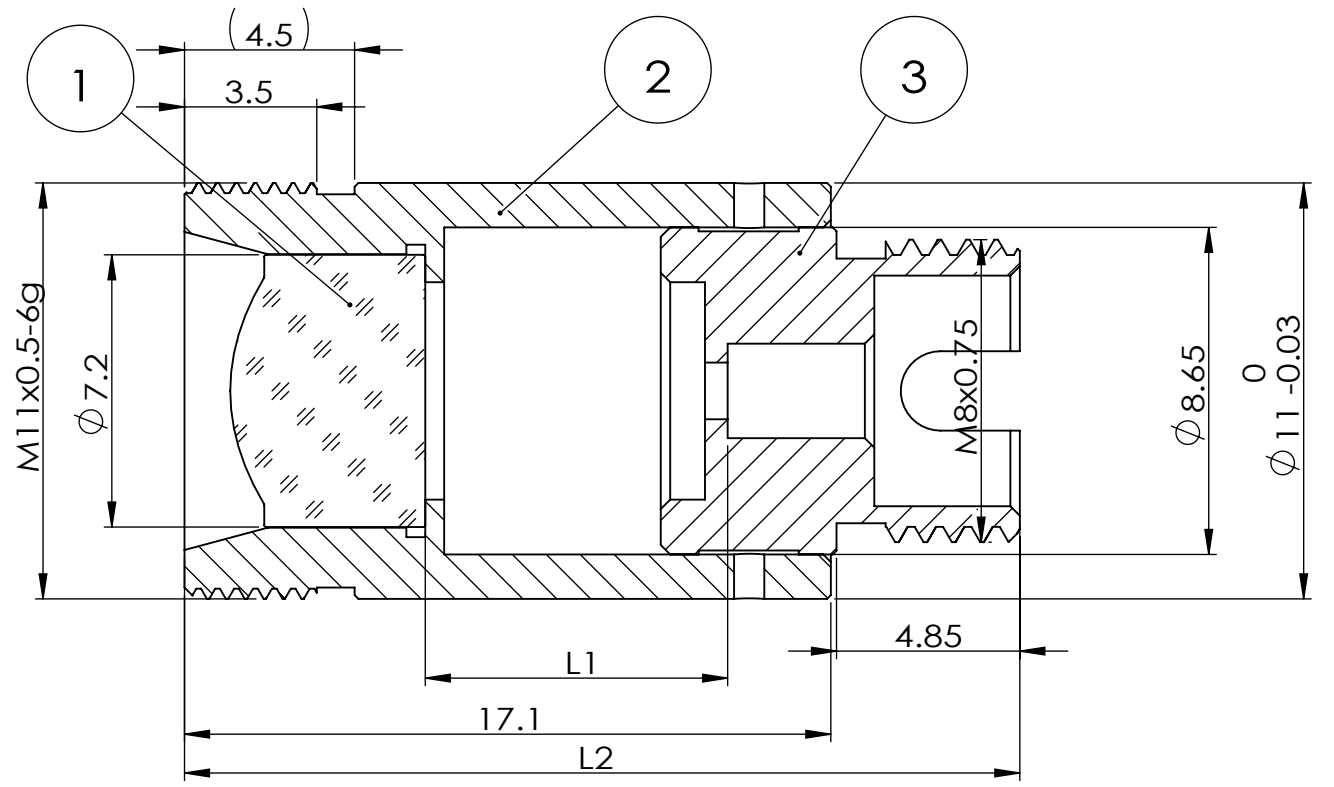
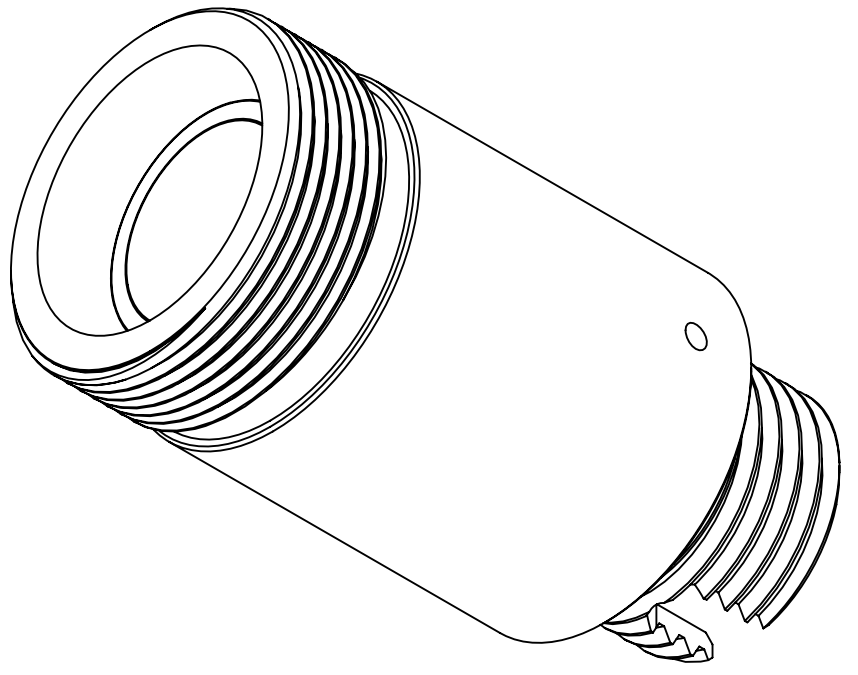


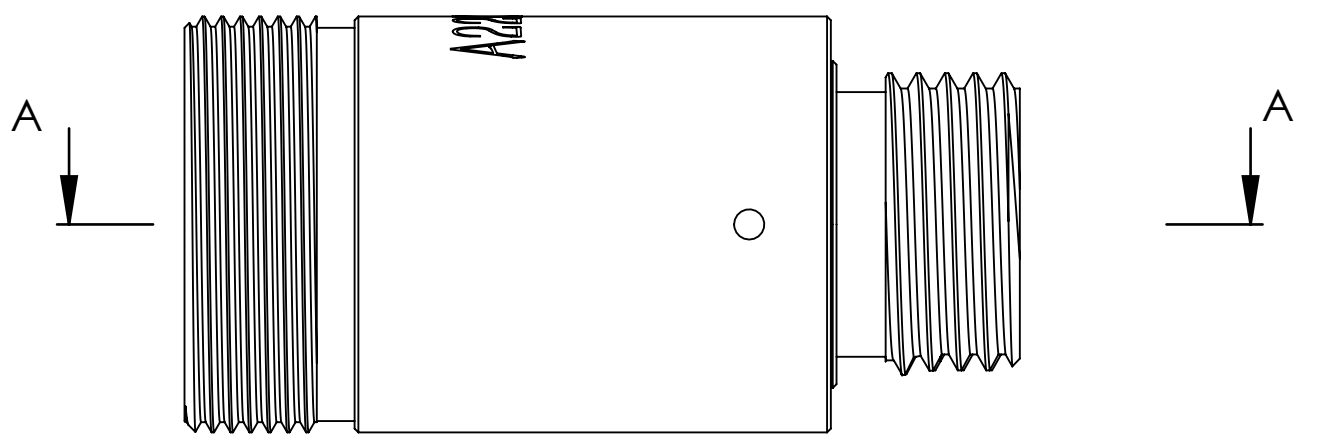
Distributor

 info@amstechnologies.com
 www.amstechnologies-webshop.com
Contact us

| ITEM | Material | DESCRIPTION |
|------|----------|------------------------------|
| 1 | LDA130 | D-ZK3M MOLDED ASPHERE |
| 2 | 3420015 | SUS 304L HOUSING |
| 3 | 3420002 | SUS 304L FC/PC CONNECTORS |

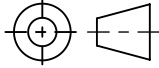


SECTION A-A



| PART NUMBER | λ | ALIGNMENT FIBER | L1 (mm) | L2 ± 0.25 (mm) |
|-------------|-----------|-----------------|---------|--------------------|
| FDA13020405 | 405nm | C405 | 7.53 | 21.73 |
| FDA13020532 | 532nm | 460HP | 7.74 | 21.94 |
| FDA13020633 | 633nm | SM600 | 7.82 | 22.02 |
| FDA13020780 | 780nm | 780HP | 7.90 | 22.10 |
| FDA13021064 | 1064nm | HI 1060 | 7.99 | 22.19 |
| FDA13021310 | 1310nm | SMF-28e | 8.05 | 22.25 |
| FDA13021550 | 1550nm | SMF-28e | 8.11 | 22.31 |

DO NOT SCALE DRAWING.

DRAWING PROJECTION. 

GH Optics (Jiangsu) Co., Ltd.
 www.ghoptics.cn
GHOPTICS
 光皓光学

TITLE: Connectorized Collimators with FC/PC

DWG NO. FDA13020405

| | |
|--------|------|
| NAME | DATE |
| DRAWN | |
| CHK'D | |
| APPV'D | |

UNIT: mm SIZE: A3 SHEET 1 OF 1 REV. A