

FEATURES

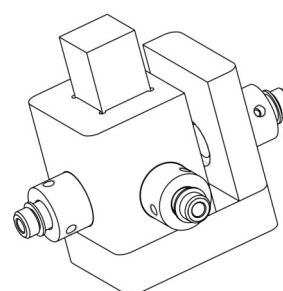
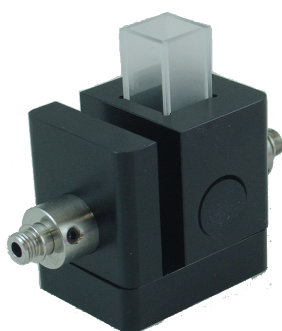
- Designed for 10-mm path length cuvettes
- Up to four (4) SMA ports
- Filter slot accepts filters up to 5mm in thickness
- M4 and 8-32 mounting holes

APPLICATIONS

- Optical spectroscopy
- Fluorescence imaging

PRODUCT DESCRIPTION

The SPC-CVH-10-xx Cuvette Holders accept a standard 10-mm path length cuvette for liquid or powder samples. SMA-terminated optical fibers are used to couple light sources and spectrometers to the device. The Cuvette Holder is compatible with Mightex's fiber coupled LED sources, Mightex's spectrometers, as well as any other light sources or spectrometers with SMA termination. The standard configuration of a SPC-CVH-10-xx Cuvette Holder comes with two SMA fiber collimators, with the option of adding up to a total of four (4) SMA fiber collimators. This compact design can easily be inserted into a lab setup, and there is a filter slot on the holder which is perfect for fluorescence applications.

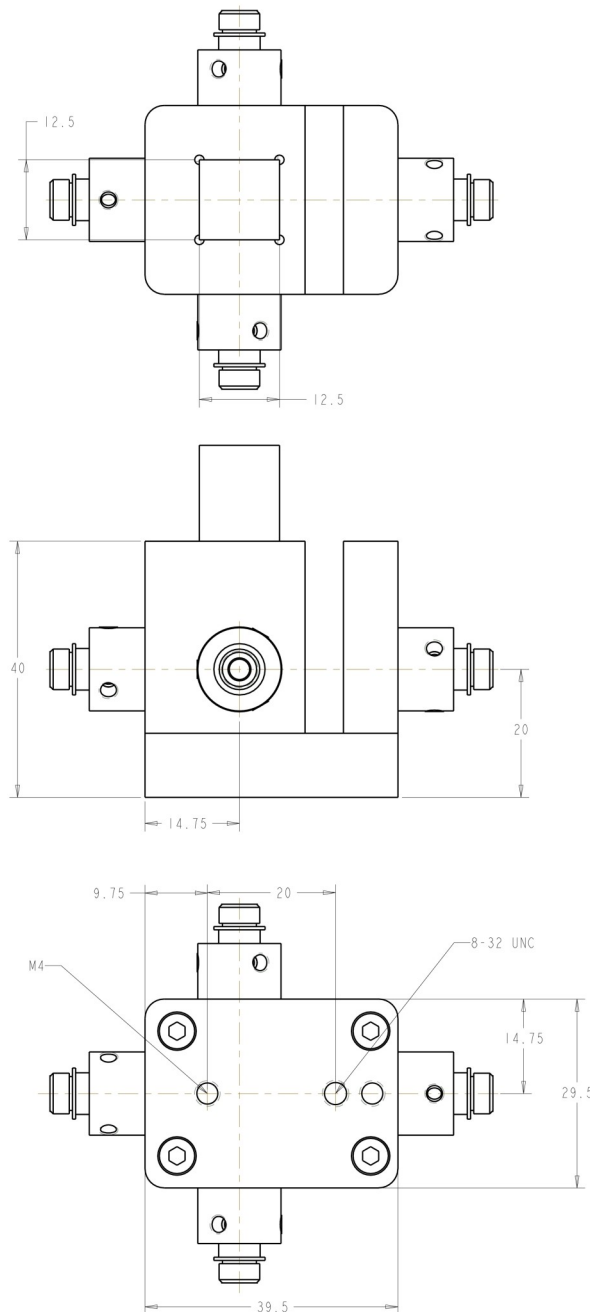


PERFORMANCE SPECIFICATIONS

Part Number	Description	Wavelength Range
SPC-CVH-10-2V	10mm Cuvette Holder with 2 FOC, for VIS and NIR	350 ~ 2,000nm
SPC-CVH-10-3V	10mm Cuvette Holder with 3 FOC, for VIS and NIR	350 ~ 2,000nm
SPC-CVH-10-4V	10mm Cuvette Holder with 4 FOC, for VIS and NIR	350 ~ 2,000nm
SPC-CVH-10-2U	10mm Cuvette Holder with 2 FOC, for UV, VIS and NIR	185 ~ 2,100nm
SPC-CVH-10-3U	10mm Cuvette Holder with 3 FOC, for UV, VIS and NIR	185 ~ 2,100nm
SPC-CVH-10-4U	10mm Cuvette Holder with 4 FOC, for UV, VIS and NIR	185 ~ 2,100nm

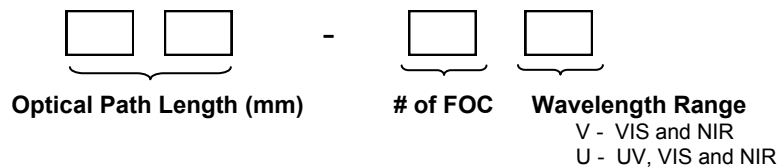
Note - FOC: Fiber-optic Collimator.

INSTALLATION DRAWING



PART NUMBER AND ORDERING INFORMATION

SPC - CVH -



For example, SPC-CVH-10-4V is a cuvette holder with 10mm Optical Path, four (4) FOC's and a VIS & NIR wavelength range.

With a world-class OEM design team, Mightex offers a broad range of customized solutions in order to meet individual customer's unique requirements. Please call 1-416-840-4991 or email sales@mightex.com for details.