

1.MATERIAL: Ge(28)Sb(12)Se(60)  
 2.NOMINAL PARAMETERS:  
 WAVELENGTH:7800 nm  
 NUMERICAL APERTURE:0.71  
 EFFECTIVE FOCAL LENGTH: 3.0mm  
 WORKING DISTANCE: 2.35m

Notes :

1. Evenasphere Formula are defined by :

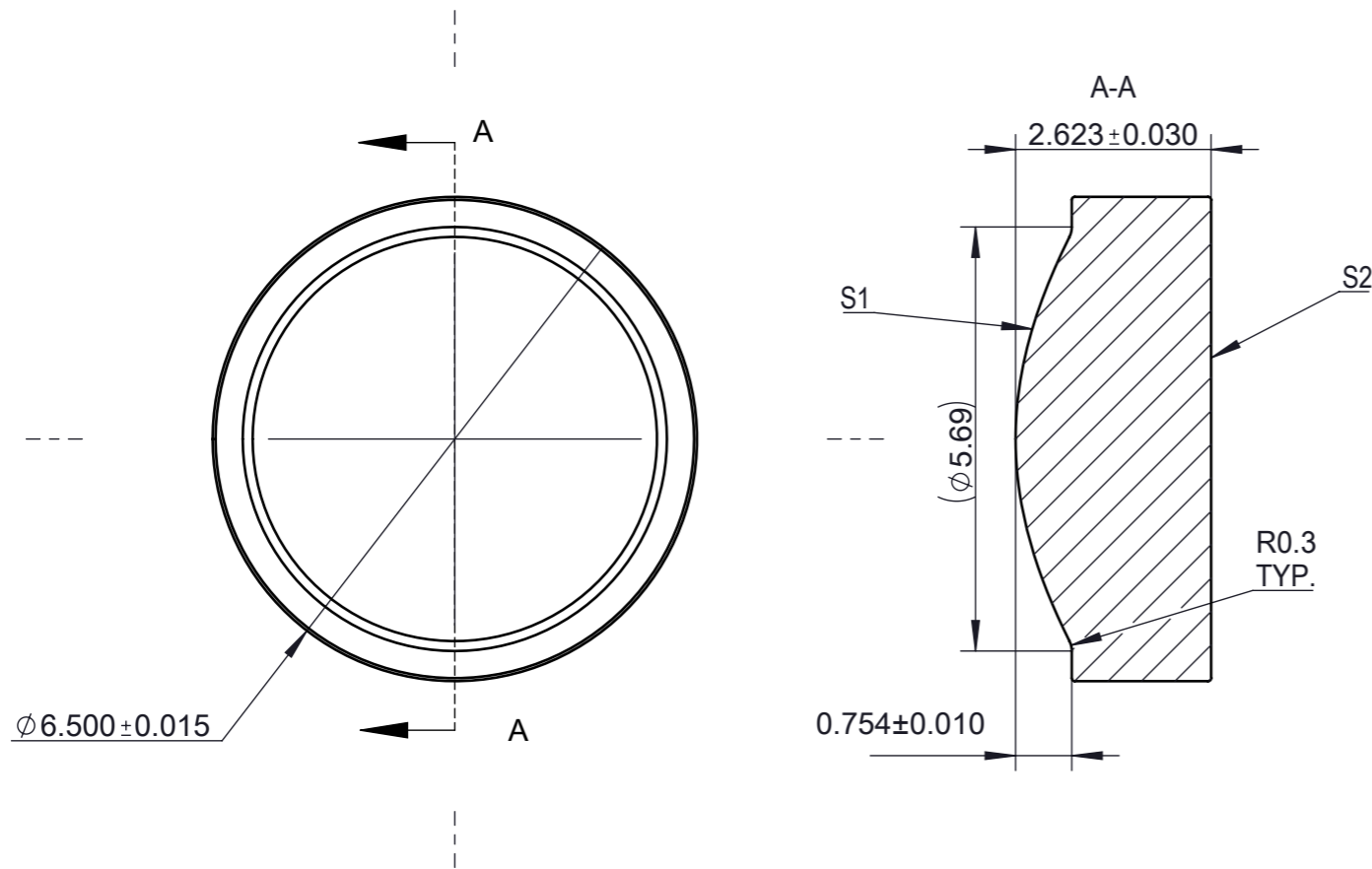
$$Z(r) = \frac{r^2 / R_c}{1 + \sqrt{1 - (1 + K) (r / R_c)^2}} + \sum_i A_{2i} r^{2i}$$

2. The coefficients are as below :

	S1	S2
R <sub>c</sub>	4.828002	0.000000E+00
K	-0.999999	0.000000E+00
A <sub>2</sub>	0.000000E+00	0.000000E+00
A <sub>4</sub>	-4.806900E-004	0.000000E+00
A <sub>6</sub>	-4.599913E-005	0.000000E+00
A <sub>8</sub>	1.520458E-006	0.000000E+00
A <sub>10</sub>	4.305264E-009	0.000000E+00
A <sub>12</sub>	3.089423E-010	0.000000E+00
A <sub>14</sub>	0.000000E0.0	0.000000E+00
A <sub>16</sub>	0.000000E0.0	0.000000E+00

3.REQUIREMENT

	S1	S2
Clear Aperture	5.00mm	3.87 mm
RADIUS TOLERANCE	±0.007	
SURFACE QUALITY	80/50	
Roughness	Ra<5nm	
IRREGULARITY	PV<316nm,rms<105nm	



r	SAG(S1)
0.00000E+00	0.00000E+00
5.00000E-01	2.58599E-02
1.00000E+00	1.03037E-01
1.50000E+00	2.30098E-01
2.00000E+00	4.04010E-01
2.50000E+00	6.19638E-01

Rev	ECO	Notes	Sign	Date
A	05	Initial	Clay	2021/8/17

MATERIAL  
 Ge(28)Sb(12)Se(60)

UNLESS OTHERWISE SPECIFIED  
 Unit is MM.  
 DEFAULT TOLERANCE:  
 .X ±0.25  
 .XX ±0.10  
 .XXX ±0.025  
 Angles: ±0.5°



光皓光学 (江苏) 有限公司  
 GH Optics(Jiangsu) Co.,Ltd.

图幅 单位 第一视角  
 A4 公制

L23070UC-30

A

第 1 张 共 1 张

Distributor  
  
 where technologies meet solutions  
 info@amstechnologies.com  
 www.amstechnologies-webshop.com  
 Contact us