

## OTDR APD Pigtailed ROSA

WPACPOTABSXXNN

### Features

- InGaAs/InP avalanche photodiode
- Low dark current : Typical 1nA@0.98V<sub>BR</sub>
- High reliability

### Applications

- OTDR, Optical sensor
- Optical test instruments

### Absolute Maximum Ratings ( $T_C=25^\circ\text{C}$ , unless otherwise specified)

Parameters	Symbol	Rating	Unit
Reverse voltage	$V_R$	$V_{BR}$	V
Operating temperature range	$T_{OPR}$	-40 to 85	$^\circ\text{C}$
Storage temperature range	$T_{STG}$	-40 to 85	$^\circ\text{C}$
Reverse current	$I_{MAX}$	2	mA

### Performance Specifications ( $T_C=25^\circ\text{C}$ , unless otherwise specified)

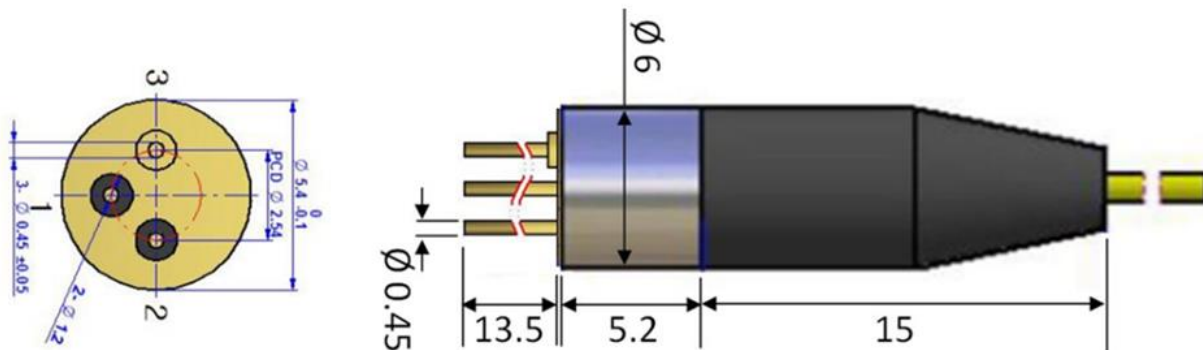
Parameters	Symbol	Test Condition	Min.	Typ.	Max.	Unit
Optical Wavelength Range	$\lambda$	-	1250		1650	nm
Responsivity	R	$V_{APD}=0.98V_{BR}$ , $\lambda=1550\text{nm}$ , Pin=10nW	20	25		A/W
Dark current	$I_d$	$V_{APD}=0.98V_{BR}$		500	5000	pA
Breakdown Voltage	$V_{BR}$	$I_d=10\mu\text{A}$	40	55	70	V
Temperature Coefficient of $V_{BR}$	$\gamma$	-40 to 85 $^\circ\text{C}$		90		mV/ $^\circ\text{C}$

### Precaution to use

The WPACPOTABSXXNN is sensitive to electrostatic discharge (ESD) and should be handled with appropriate caution. Please use standard ESD protective equipment when handling this product.

**Mechanical Specifications**

Dimension and PIN configuration (unit: mm)



- 1. APD anode
- 2. APD cathode
- 3. Case(no connection)

**Ordering information**

WPACPOTABSXXNN

<p><u>Connector type</u>                  NC : None                  SP : SC/UPC                  LP : LC/UPC                  FP : FC/UPC                  SA : SC/APC                  LA : LC/APC                  FA : FC/APC</p>
---



Specifications described here are subject to change without notice

Distributor

amstechnologies  
where technologies meet solutions

[info@amstechnologies.com](mailto:info@amstechnologies.com)  
[www.amstechnologies-webshop.com](http://www.amstechnologies-webshop.com)

**Contact us**