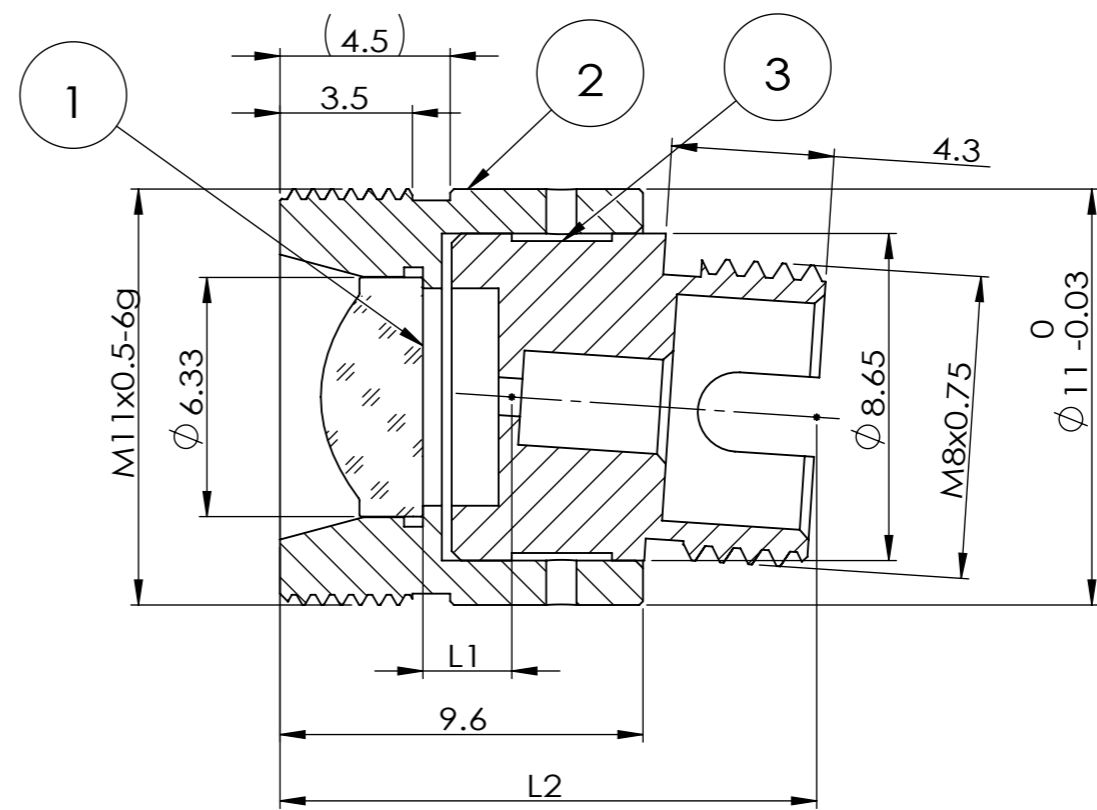
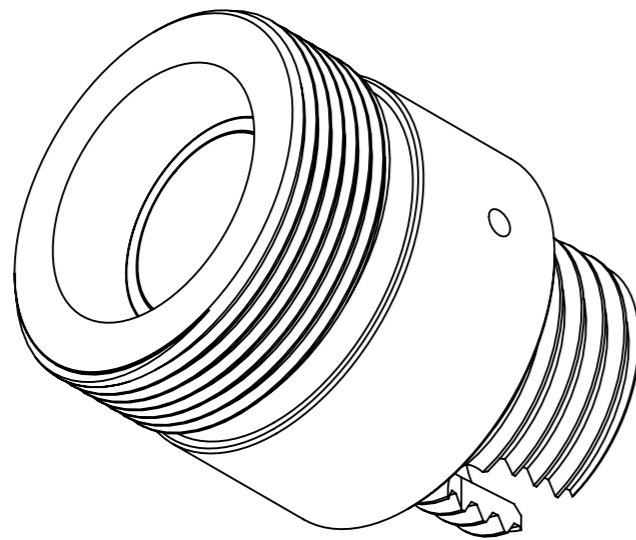


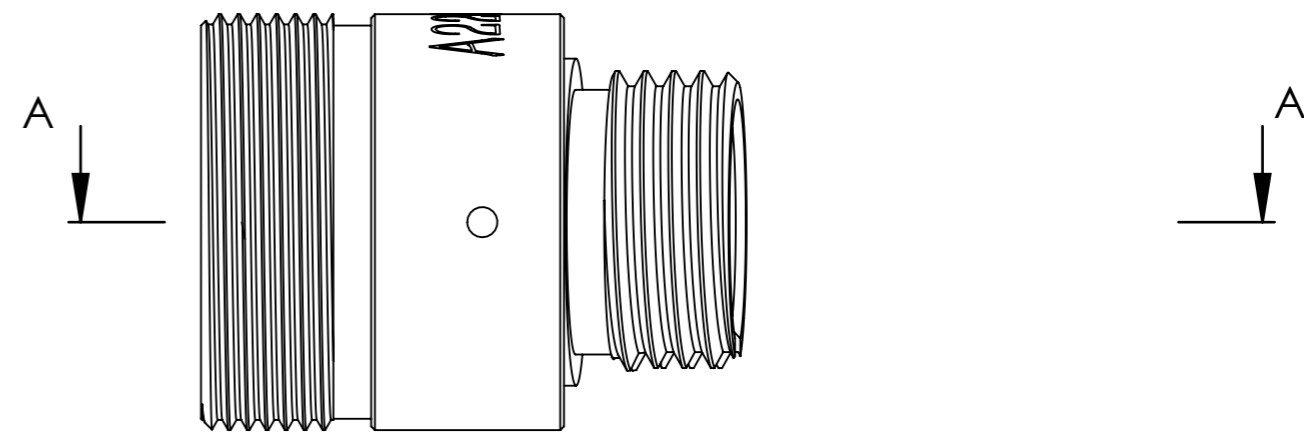
Distributor

 info@amstechnologies.com
 www.amstechnologies-webshop.com
Contact us

| ITEM | Material | DESCRIPTION |
|------|----------|--|
| 1 | LE4560 | D-ZLAF52LAM |
| 2 | 3420012 | SUS 304L |
| 3 | 3420001 | SUS 304L |
| | | MOLDED ASPHERE HOUSING FC/APC CONNECTORS |

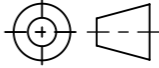



SECTION A-A



| PART NUMBER | λ | ALIGNMENT FIBER | L1 (mm) | L2 ± 0.25 (mm) |
|-------------|-----------|-----------------|---------|--------------------|
| FDA52010405 | 405nm | C405 | 2.78 | 15.23 |
| FDA52010532 | 532nm | 460HP | 2.91 | 15.36 |
| FDA52010633 | 633nm | SM600 | 2.96 | 15.41 |
| FDA52010780 | 780nm | 780HP | 3.00 | 15.45 |
| FDA52011064 | 1064nm | HI-1060 | 3.04 | 15.49 |
| FDA52011310 | 1310nm | SMF-28e | 3.07 | 15.51 |
| FDA52011550 | 1550nm | SMF-28e | 3.09 | 15.53 |

DO NOT SCALE DRAWING.

DRAWING PROJECTION. 

 **GH Optics (Jiangsu) Co., Ltd.**
www.ghoptics.cn

TITLE: Connectorized Collimators with FC/APC

DWG NO. FE456010633

| | |
|--------|------|
| NAME | DATE |
| DRAWN | |
| CHK'D | |
| APPV'D | |

UNIT: mm SIZE: A3 SHEET 1 OF 1 REV. A