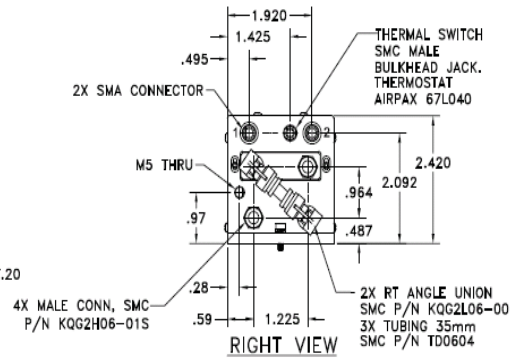
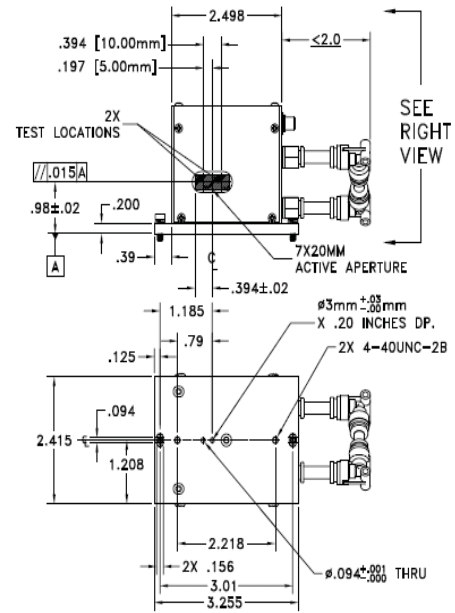


SPECIFICATIONS

OUTLINE DRAWING

AO Medium	Crystal Quartz
Acoustic Mode	Longitudinal
Acoustic Velocity	5.744mm/μs
Wavelength	355nm
Input Polarization	90° to Mounting Plane
Output Polarization	90° to Mounting Plane
Insertion Loss	1%
Center Frequency (Fc)	170 MHz
RF Bandwidth	80 MHz
RF Power	20W
Active Aperture	7mm x 20mm
Average Diffraction Efficiency	
Flatness Across Bandwidth	
Min Diffraction Efficiency	80%
Peak Valley at 633 mm	0.1
RMS at 633 mm	N/A
VSWR	2:1
Scan Angle	4.9 mrad
Time Bandwidth	N/A




NOTES:
 1. MATERIAL: 6061-T6 ALUMINUM.
 2. FINISH: METALAST-TCP-HF CLEAR OR EQUIVALENT WATER CHANNELS ANODIZE MIL-A-8625F TYPE II, CLASS 1, ELECTROLESS NICKED 500uln PER AMS-2404C.

Document
04/04/16
Control

NOTES;


1. Delay/splitter box is included but not shown.
2. 2 element phased array.
3. input impedance 50 Ohms.
4. Unit to be water cooled.



info@amstechnologies.com
 www.amstechnologies-webshop.com

Contact us

THIS DOCUMENT IS THE PROPERTY OF GOOCH & HOUSEGO. IT IS NOT TO BE REPRODUCED OR DISCLOSED IN WHOLE OR IN PART OTHER THAN BY EMPLOYEES OF GOOCH & HOUSEGO AND ITS CONTRACTED REPRESENTATIVES AND DISTRIBUTERS. ANY EXCEPTION REQUIRES THE WRITTEN CONSENT OF AN AUTHORIZED REPRESENTATIVE OF GOOCH & HOUSEGO.

TOLERANCES: .XX .XXX	DR	Gerl Scholz 3/31/2016	 DESCRIPTION: AODF 4170 Quartz 355nm 2 Elec. Phased Array	
MATERIAL:	CHK			
FINISH:	APP		PART NUMBER:	REV:
	APP		97-03255-02	1
			SHEET	1 OF 1