

## 450 – 800nm Acousto-Optic Tunable Filter

TF625-350-2-11-BR1A

AO Tunable Filter for imaging spectroscopy.

Combining top grade Tellurium Dioxide with high quality optical finishing and in-house anti-reflection coatings, this large aperture AOTF can deliver diffraction limited imaging performance.

High speed, random access ('band sequential' rather than 'push broom') enables the potential for real-time video rate imaging.

Patented side lobe suppression technology provides excellent out of band suppression.

Use in conjunction with our frequency synthesised driver, enables independent control of frequency, amplitude and phase of up to sixteen channels, allowing active pass band resolution and profile control, or the creating of multiple separate passbands.

Gooch & Housego's AOTF capability is extensive. By combining our scientific knowledge, modelling capability and engineering expertise with our renowned manufacturing skill and high quality, our products are aimed at the most discerning customers, in the most demanding applications.

In addition to the standard product shown, custom configurations are available for specialised applications. These include alternative mechanical design, wavelength range, aperture & resolution. We also offer temperature stabilisation or compensation options.

Please contact the sales team for further information.

### Key Features:

- 450 – 800nm
- Large aperture / high étendue
- High speed, random access
- Adaptable resolution
- Solid state technology
- Patented out of band suppression
- Custom configurations available

### Application examples:

- Hyperspectral / Multispectral Imaging
- Biomedical
- Environmental
- Pharmaceutical
- Food & agriculture
- Security



where technologies meet solutions

info@amstechnologies.com  
www.amstechnologies-webshop.com

**Contact us** 

Contact: sales@goochandhousego.com

www.goochandhousego.com

## General Specifications

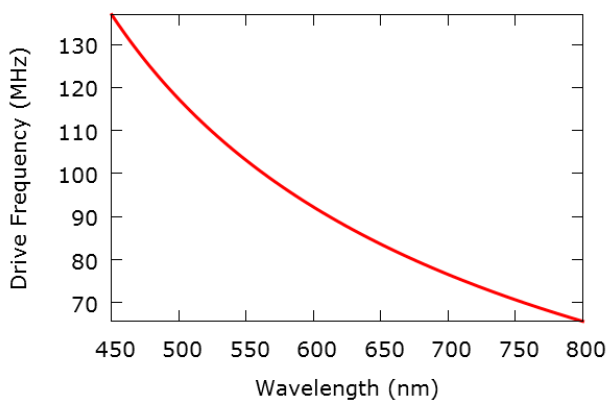
Interaction material:	Tellurium dioxide (Anisotropic)
Wavelength range:	450 - 800nm
Frequency range:	65 – 135MHz
Resolution (FWHM):	1.5nm (typical) at 625nm
Active aperture:	11 x 12mm
Polarisation:	Polarisation sensitive
Incident polarisation:	Linear, vertical with respect to base
Polarisation of diffracted order:	Linear, orthogonal to input (90° rotated)
Pointing stability of diffracted order:	< ± 0.01° typical
Field of view:	± 2°
Beam separation:	≥ 4.5°
RF input impedance:	50Ω
Transmission:	> 95%
Diffraction efficiency:	> 90% (> 95% typical)
Drive power (typical):	< 0.5W/channel
Absolute maximum RF Power:	5W
Cooling:	Conduction through base

## Ordering Code

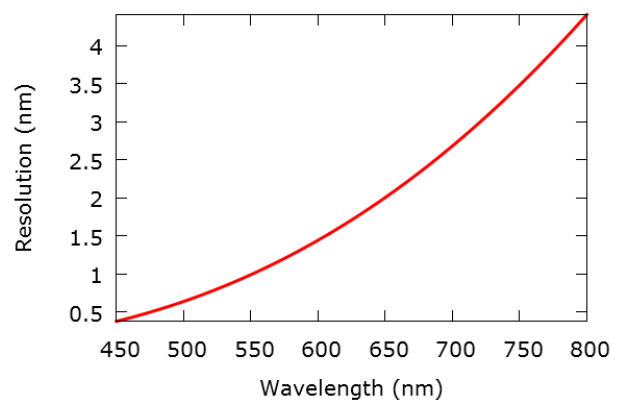
**Explanation:** TF625-350-2-11-BR1A (AO Tunable Filter, centre wavelength 625nm, 350nm operating range, 2nm resolution (at 625nm), 11.0mm active aperture, BR1 housing, side lobe suppression)

**T F 6 2 5 - 3 5 0 - 2 - 1 1 - B R 1 A**

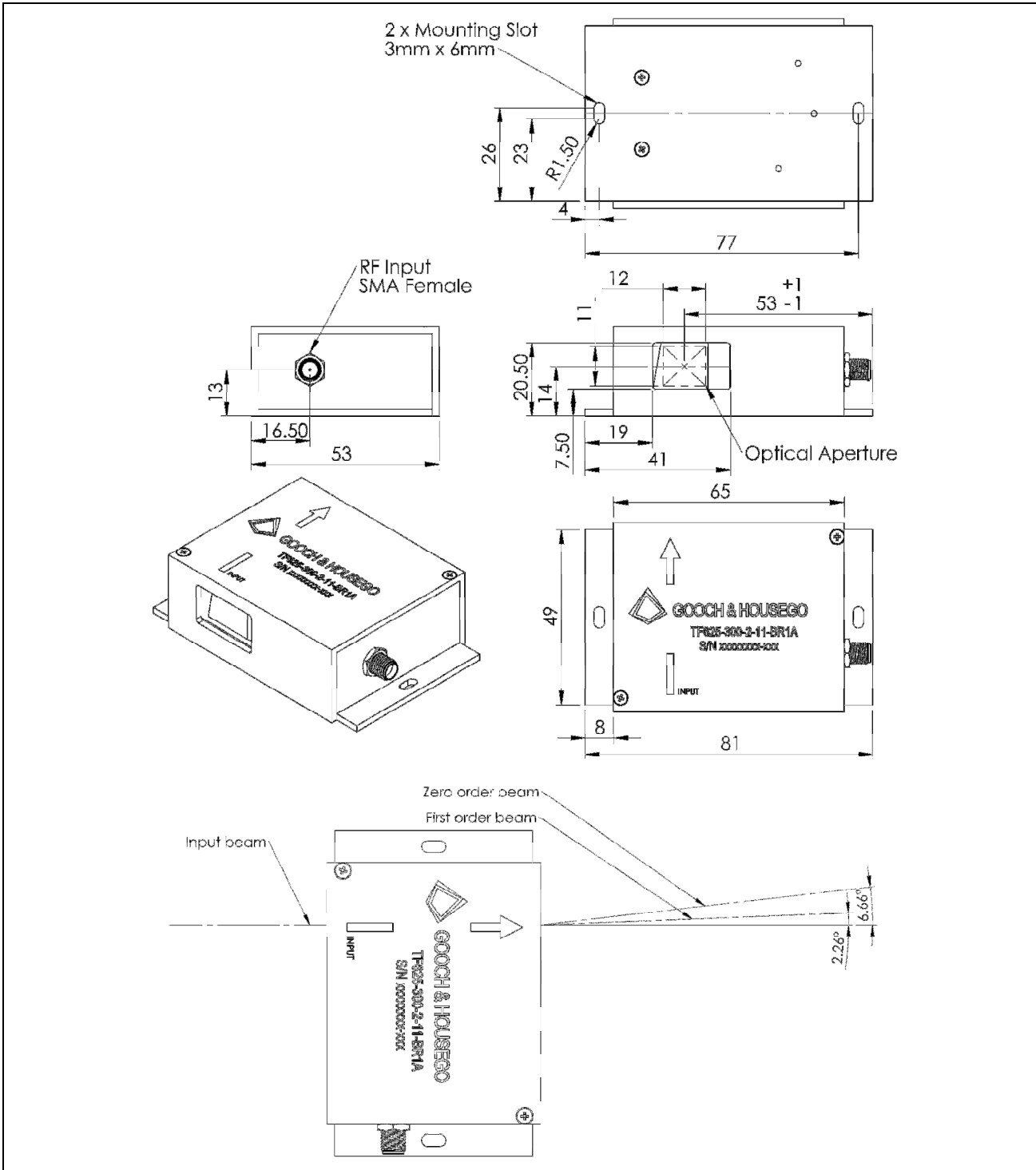
**Tuning Relation**



**Line Width**



Mechanical Data



Contact: [sales@goochandhousego.com](mailto:sales@goochandhousego.com)

[www.goochandhousego.com](http://www.goochandhousego.com)

As part of our policy of continuous product improvement we reserve the right to change specifications at any time