

Item Number: 6107-0000**Item Description: 795nm, spectrally narrowed, 25W, 1000µm fiber-coupled module**

Parameter	Units	Minimum	Typical	Maximum
Optical				
CW Output Power from Fiber	W	25		
Center Wavelength	nm		795	
Spectral Width (FWHM)	nm			0.20
Fiber Core Diameter	µm		1000	
Fiber NA	-		0.22	
Temperature tuning coefficient	nm/°C		0.07	
Electrical (FCA)				
Operating Current (I _{OP})	A		42	50
Operating Voltage (V _{OP})	V		1.8	1.9
E-O conversion efficiency	%		35	
Thermal				
Operating Temperature	°C	20	25	35
Storage Temperature	°C	-20		70
Mechanical				
Module dimensions	mm		88 x 40 x 36	
Fiber length	mm		51	
Fiber Input connector	-		SMA	
Thermistor				
Type	-		NTC	
Resistance at 25°C	KΩ		10	
Optional Aiming Beam				
Wavelength	nm			635 +/- 10
Optical power	mW			>=1.0
Optional Monitoring Photo Diode				
Output signal at full power	µA	50		250
Control signal				
Interfacing	DB-15 connector at module back wall			

Notes

1. Temperature tuning is required in the range of 20~35C in order to meet the wavelength spec
2. Non-condensing operating environment required

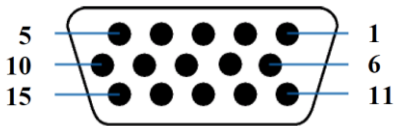
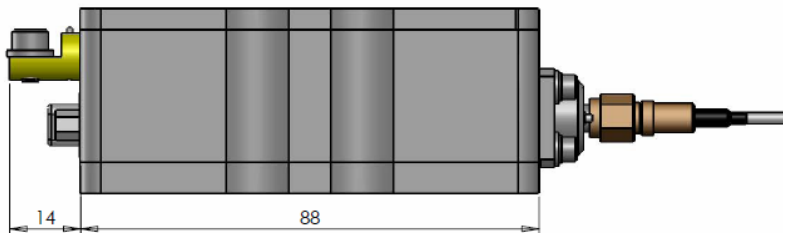
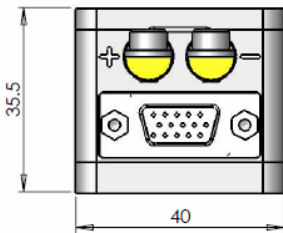
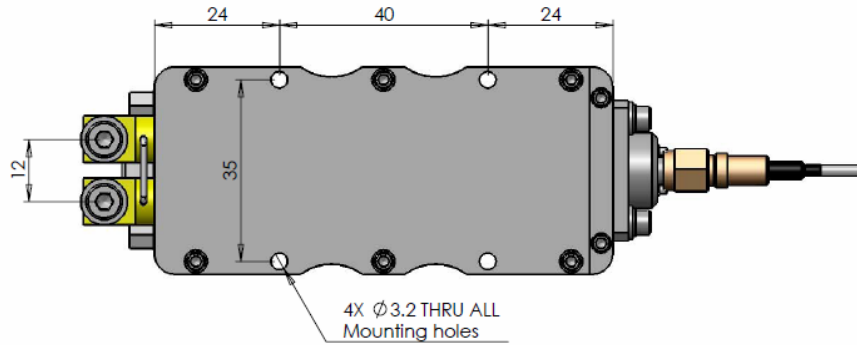
Distributor



amstechnologies
where technologies meet solutions

info@amstechnologies.com
www.amstechnologies-webshop.com





Pin number	Assignment
1	Not used
2	Not used
3	Aiming beam "+"
4	Aiming beam Ground
5	Monitor Photodiode "+"
6	Monitor Photodiode "-"
7	Not used
8	Not used
9	Not used
10	Not used
11	Not used
12	Not used
13	Not used
14	Thermistor (NTC)
15	Thermistor (NTC)

