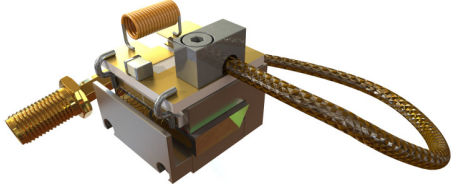


Gooch & Housego



Conduction-cooled Acousto-Optic Q-Switch

I-QS080-1C10H-4-OS14

An ultra-compact conduction-cooled Acousto-Optic Q-Switch, optimised for use at 1319 – 1342nm.

Utilising top grade Crystal Quartz for increased efficiency & thermal stability, with high quality optical finishing & high damage threshold anti-reflection coatings to provide high damage threshold & low insertion loss.

In addition to the specifications indicated, we also offer alternative wavelengths, RF frequencies, active apertures & an extensive range of mechanical housing configurations. We also offer full custom design & manufacturing, enabling our customers to achieve the perfect solution.

Our scientists and engineers are available to assist in selecting the most appropriate model of Q-Switch and also RF driver for your application.

Please contact our sales team for further information.

Key Features:

- 1319-1342nm
- Compact package
- Conduction-cooled
- High damage threshold
- Custom configurations available

Application examples:

- Material processing
- Medical
- Scientific



amstechnologies
where technologies meet solutions

info@amstechnologies.com
www.amstechnologies-webshop.com

Contact us

Contact: sales@goochandhousego.com

www.goochandhousego.com

As part of our policy of continuous product improvement we reserve the right to change specifications at any time

IWDS009 V1.0

General Specifications

Interaction material:

Wavelength:
 Damage threshold:
 AR coating reflectivity:
 Transmission:
 Frequency:
 Optical polarisation:
 Active aperture:
 Acoustic mode:
 Separation angle:
 Rise-time (10-90%):
 Loss modulation:
 RF power:
 Storage temperature:

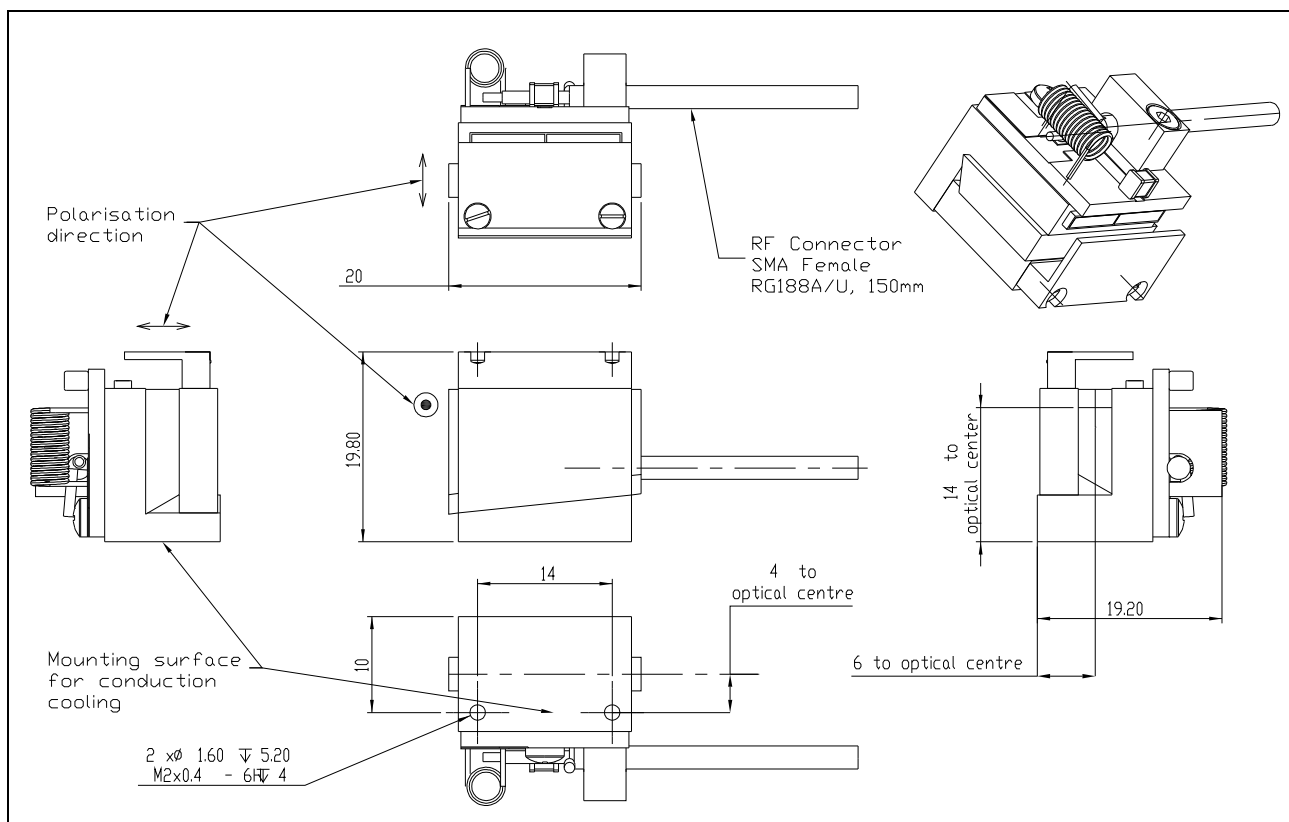
Crystal Quartz

1319 to 1342nm
 $> 500\text{MW}/\text{cm}^2$
 $< 0.2\%$ per surface
 $> 99.6\%$
 80MHz
 Linear, vertical to base
 1.0mm
 Compressional
 18.8mrad
 113ns/mm
 $\geq 70\%$
 10W (max)
 -20 to $+70\text{degC}$

Ordering Codes

Explanation: I-QS080-1C10H-4-OS14 (Q-Switch, 80MHz, 1.0mm active aperture, compressional mode, Crystal Quartz, 1319/1342nm, SMA female pigtail, OS14 housing).

I - Q S 0 8 0 - 1 C 1 0 H - 4 - O S 1 4



Contact: sales@goochandhousego.com

www.goochandhousego.com

As part of our policy of continuous product improvement we reserve the right to change specifications at any time